



# ProJet<sup>®</sup> 1200

Professional 3D Printer System



## Spare Parts Locator

Original Instructions

# CONTENTS

<b>1</b>	<b>PROJET 1200 SPARE PARTS LIST</b> .....	<b>3</b>
<b>2</b>	<b>EXPLODED VIEWS</b> .....	<b>4</b>
	<b>Skin Set for ProJet 2100 - 341359-00</b> .....	<b>4</b>
	<b>Touch-Up Paint</b> .....	<b>5</b>
	<b>Electronic Boards</b> .....	<b>6</b>
	<b>Lamp Ballast</b> .....	<b>7</b>
	<b>UV Lamp</b> .....	<b>8</b>
	<b>Platform Components</b> .....	<b>9</b>
	<b>Display</b> .....	<b>10</b>
	<b>Display Board</b> .....	<b>11</b>
	<b>Carousel</b> .....	<b>12</b>
	<b>Microswitch</b> .....	<b>13</b>
	<b>Stepper</b> .....	<b>14</b>
	<b>Glass Components</b> .....	<b>15</b>
	<b>Glass Components Cont.</b> .....	<b>16</b>
	<b>Cartridge Support</b> .....	<b>17</b>



# 1 PROJET 1200 SPARE PARTS LIST

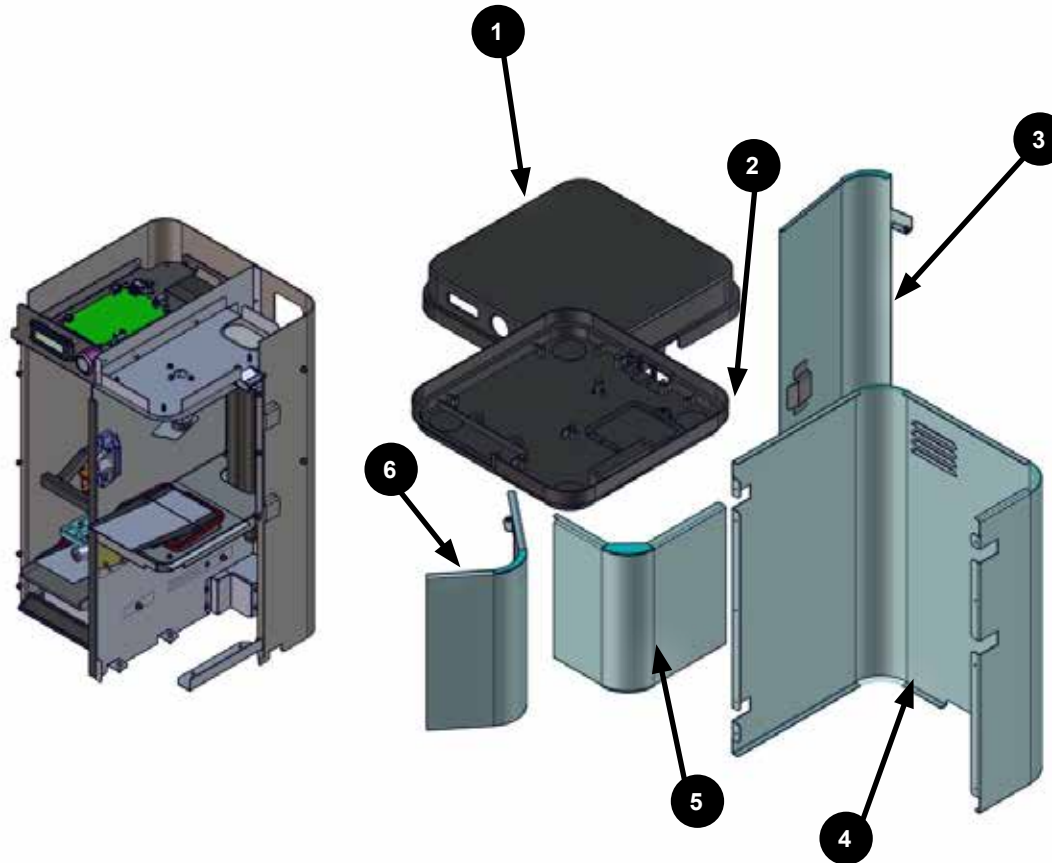
Part Number	Item Description	Part Numbe	Item Description	Part Numbe	Item Description
307694-00	Can, Light Gray ProJet series Touch Up, 238g, T2	341307-00	ProJet 1200 Display Board	341359-00	Skins Set for ProJet 1200
307695-00	Can, Dark Gray ProJet series Touch Up, 238g, T2	341308-00	ProJet 1200 Connector Board	341360-00	ProJet 1200 MQG Reader Board
341212-00	ProJet 1200 UV Lamp Ballast	341310-00	ProJt 1200 LCM Display Board	341361-00	Pico to I/O Connector Board
341215-00	ProJet 1200 Carousel	341311-00	ProJet 1200 I/O Board	341362-00	AC Power Supply
341219-00	ProJet 1200 Microswitch	341224-00	ProJt 1200 Stepper Drive	341366-00	Cartridge Support - Pre (2014/06/12)
341223-00	ProJet 1200 Switch/Pushbutton	341300-00	ProJet 1200 Platform	341367-00	Cartridge Support - Post (2014/06/12)
341263-00	ProJet 1200 UV Projector Assembly	341243-00	ProJet 1200 Hatch	341368-00	Glass Frame Assembly - Post (2014/06/12)
341291-00	ProJet 1200 Glass Pre (2014/06/12)	341213-00	ProJet 1200 UV Lamp Bulb	341369-00	Shim
341309-00	ProJet 1200 MCP	341-325-00	Plate Clamp	341422-00	Clamp Handle

## 2 EXPLODED VIEWS

### Skin Set for ProJet 2100 - 341359-00

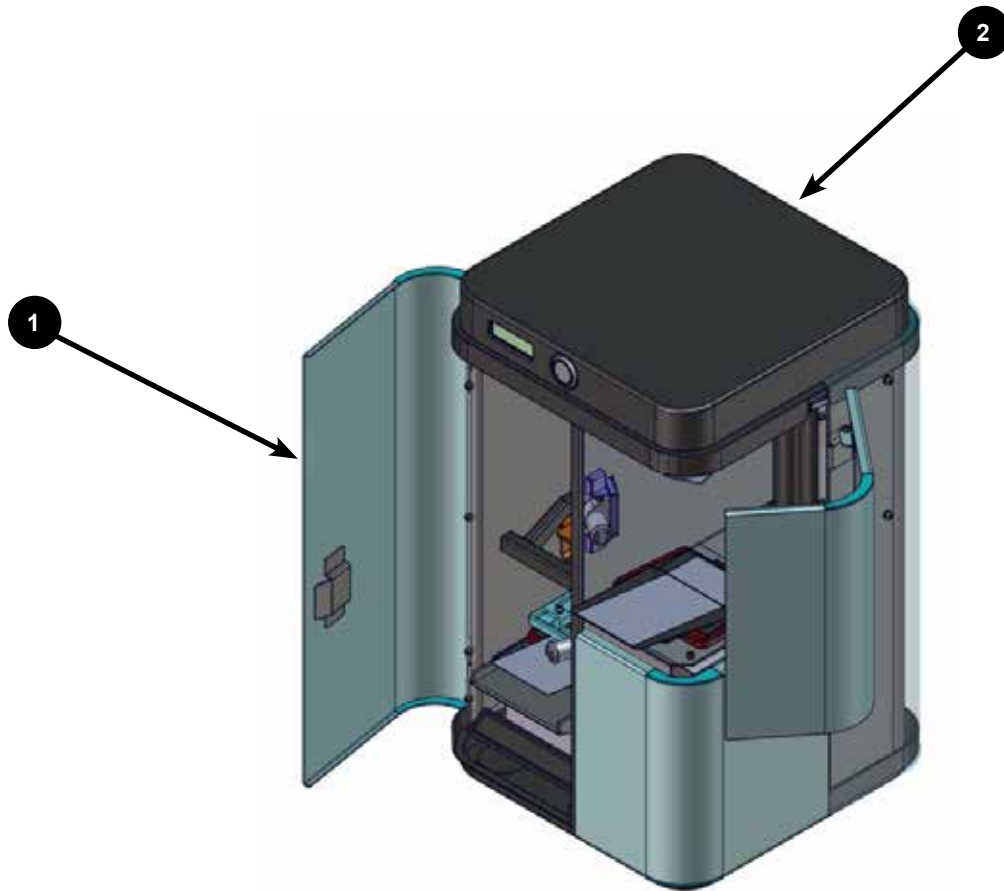
Includes:

1	341359-00	SKIN TOP
2	341359-00	SKIN, BOTTOM
3	341359-00	BUILD DOOR
4	341359-00	COVER
5	341359-00	SKIN, BOTTOM PANEL
6	341359-00	CURE DOOR



## Touch-Up Paint

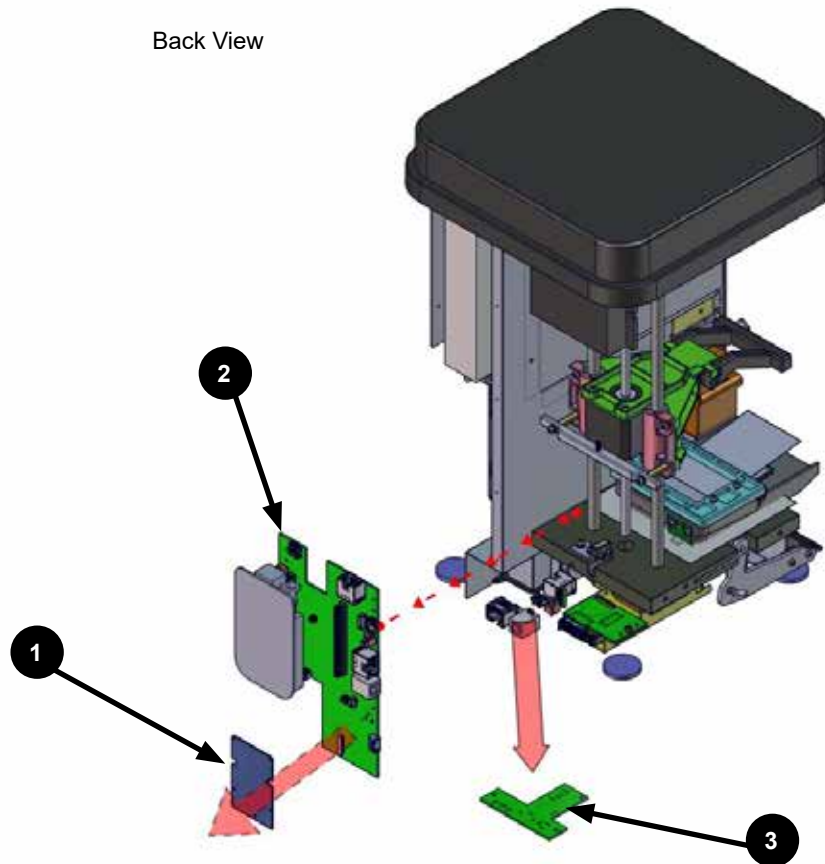
1	307694-00	CAN, LIGHT GRAY PROJET SERIES TOUCH UP, 238G, T2
2	307695-00	CAN, DARK GRAY PROJET SERIES TOUCH UP, 238G, T2



## Electronic Boards

1	341361-00	PICO TO I/O CONNECTOR BOARD
2	341311-00	PROJET 1200 I/O BOARD
3	341308-00	PROJET 1200 CONNECTOR BOARD

Back View

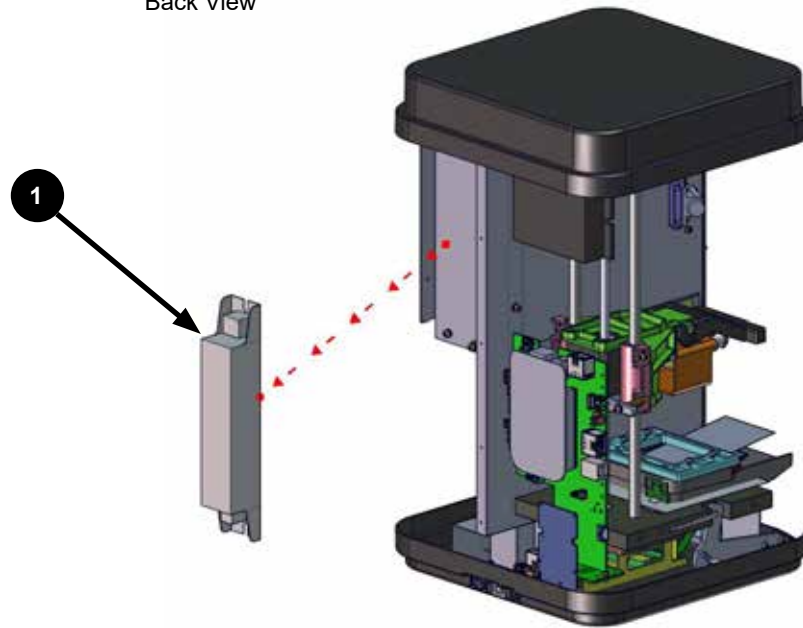


 NOTE: All screws are hidden for clarity

## Lamp Ballast

1	341212-00	PROJET 1200 UV LAMP BALLAST
---	-----------	-----------------------------

Back View

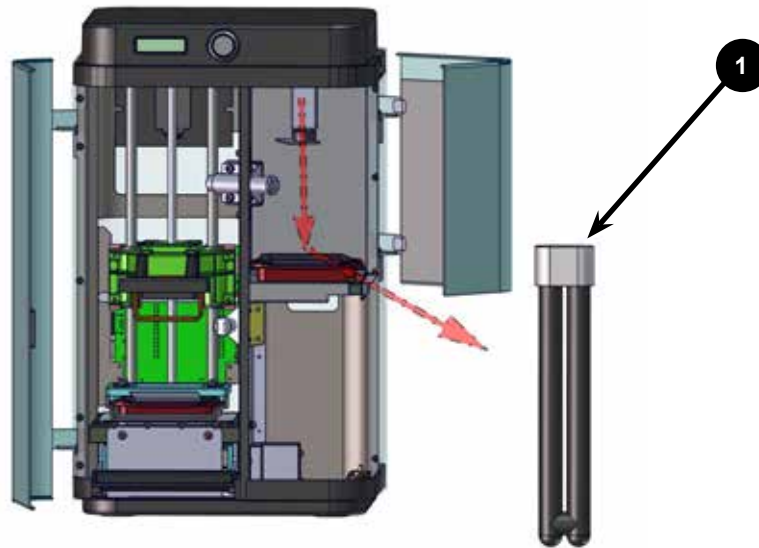


 NOTE: All screws are hidden for clarity



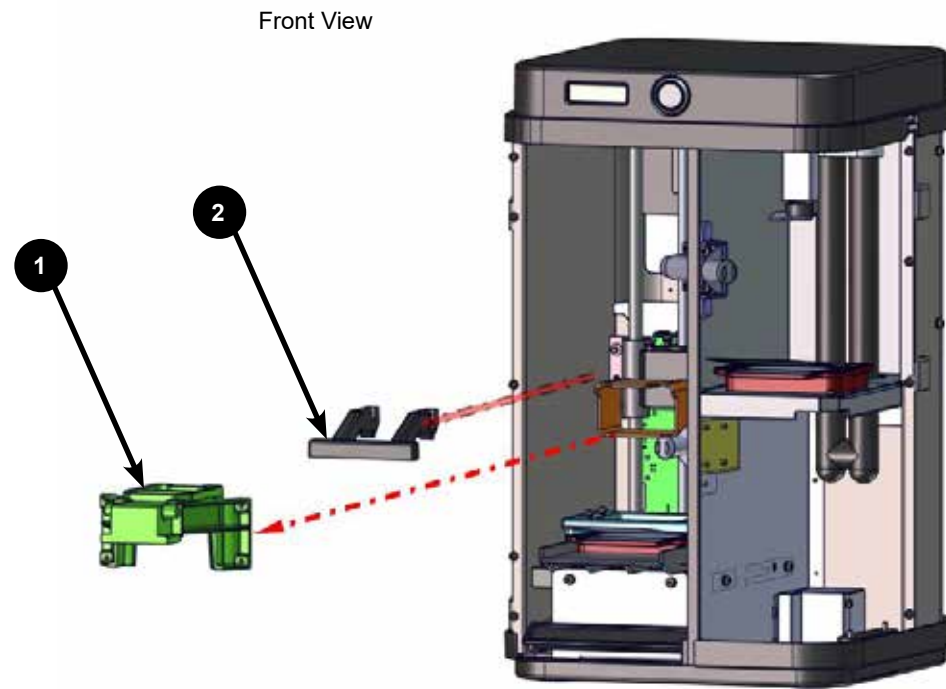
## UV Lamp

1	341213-00	UV LAMP BULB
---	-----------	--------------



## Platform Components

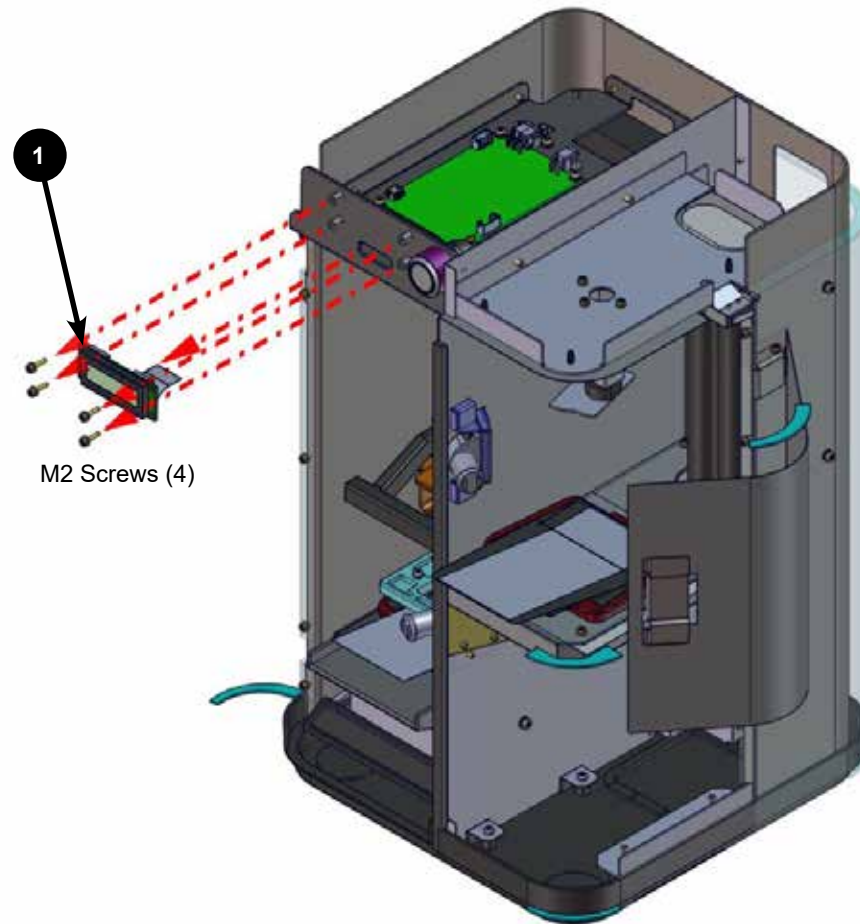
1	341300-00	PROJET 1200 PLATFORM
2	341325-00	PLATE CLAMP



 NOTE: All screws are hidden for clarity

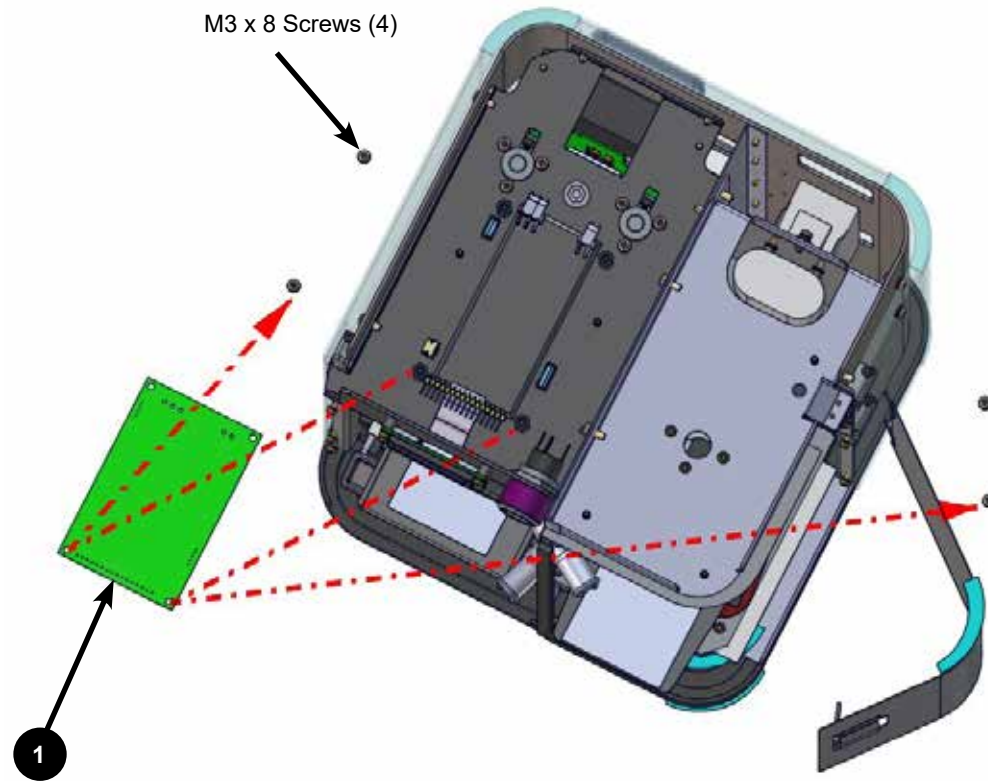
## Display

1	341310-00	PROJET 1200 LCM DISPLAY BOARD
---	-----------	-------------------------------



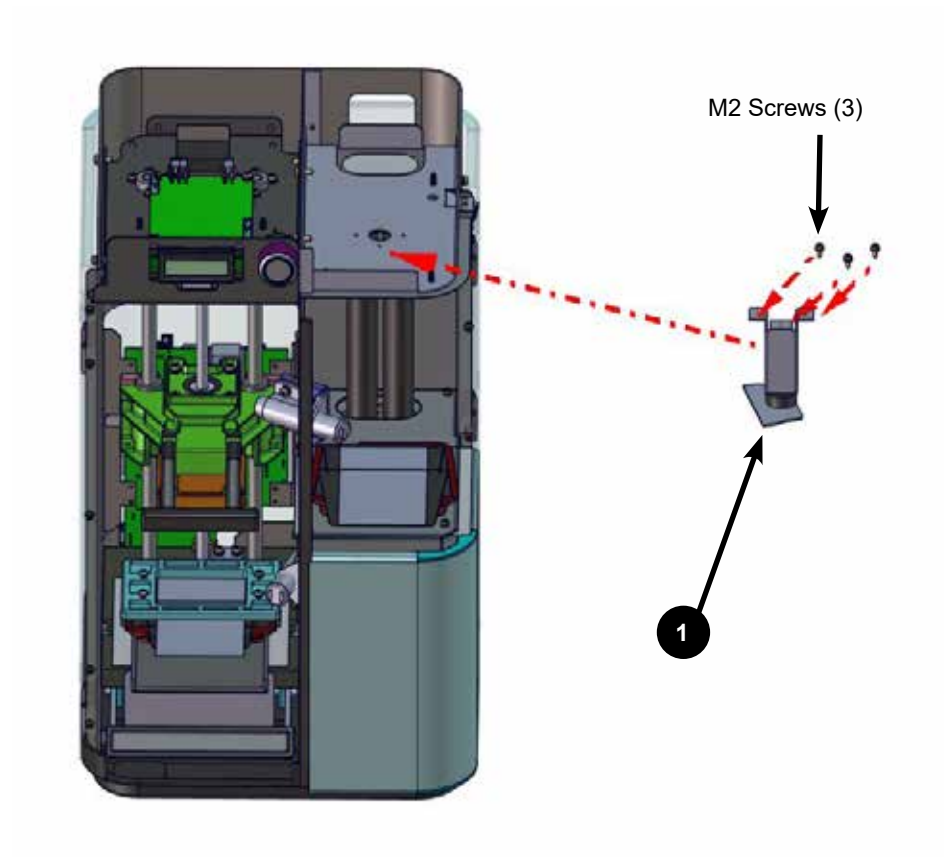
## Display Board

1	341307-00	PROJET 1200 DISPLAY BOARD
---	-----------	---------------------------



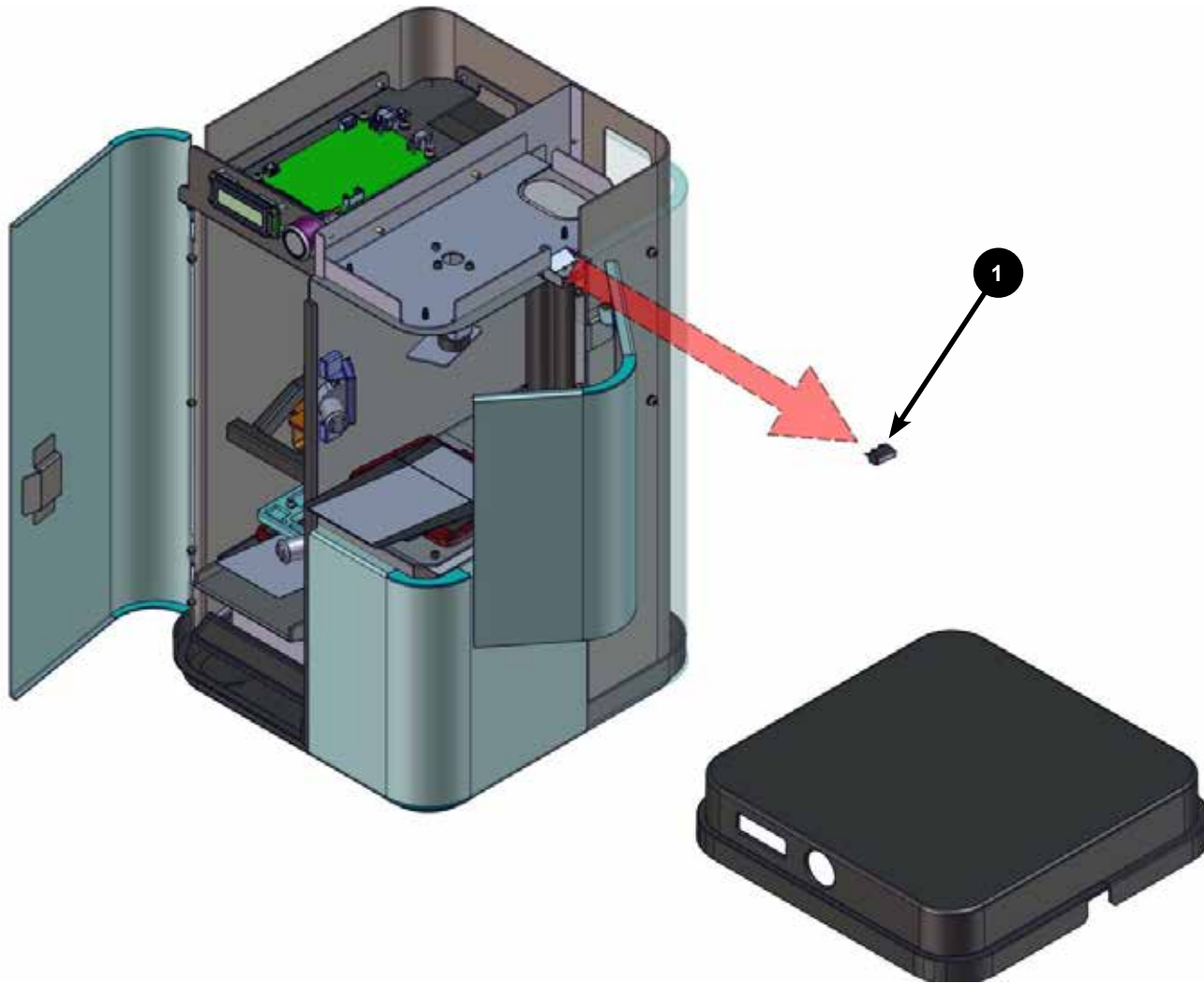
## Carousel

1	341215-00	PROJET 1200 CAROUSEL
---	-----------	----------------------



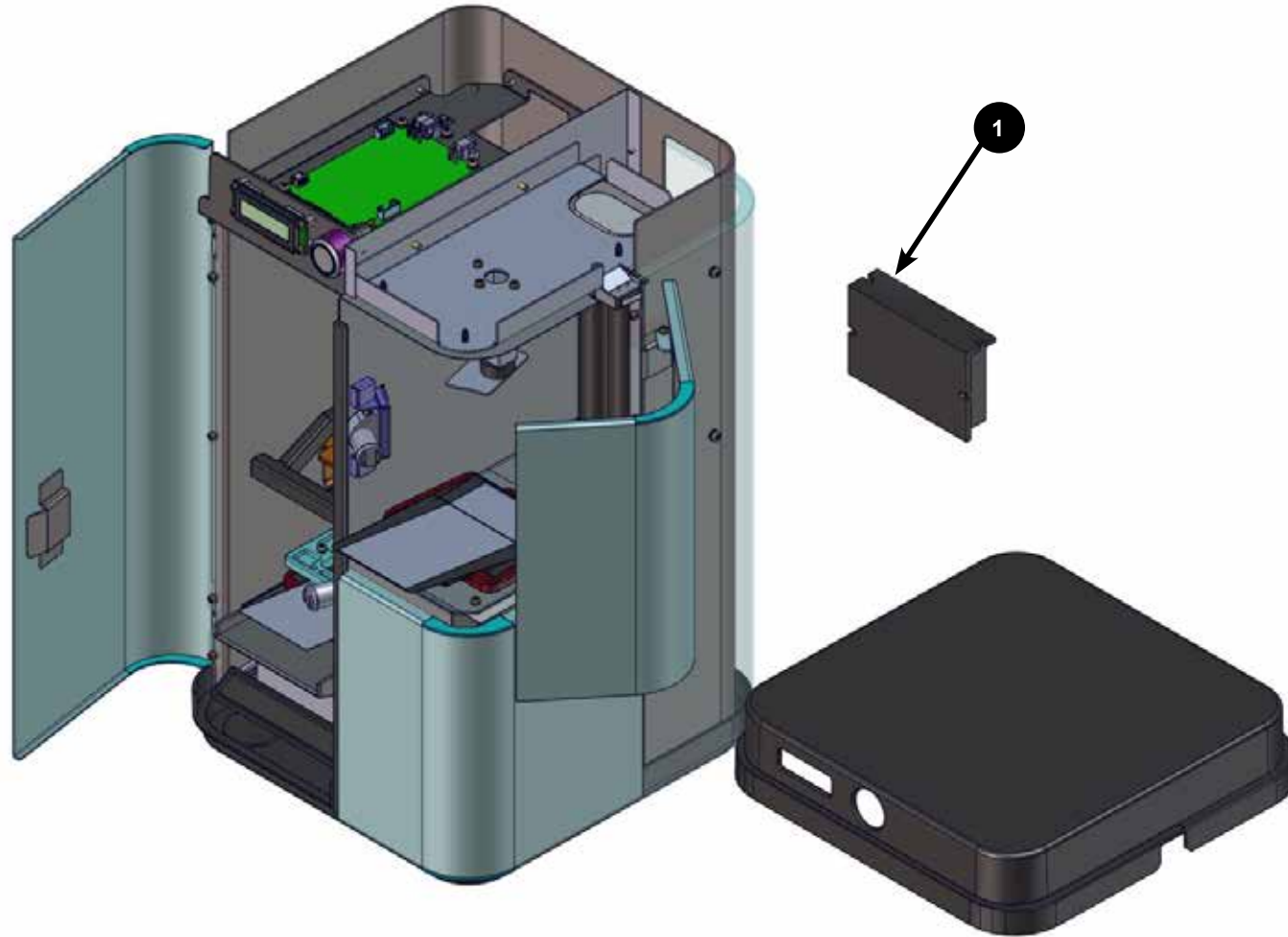
### Microswitch

1	341219-00	PROJET 1200 MICROSWITCH
---	-----------	-------------------------



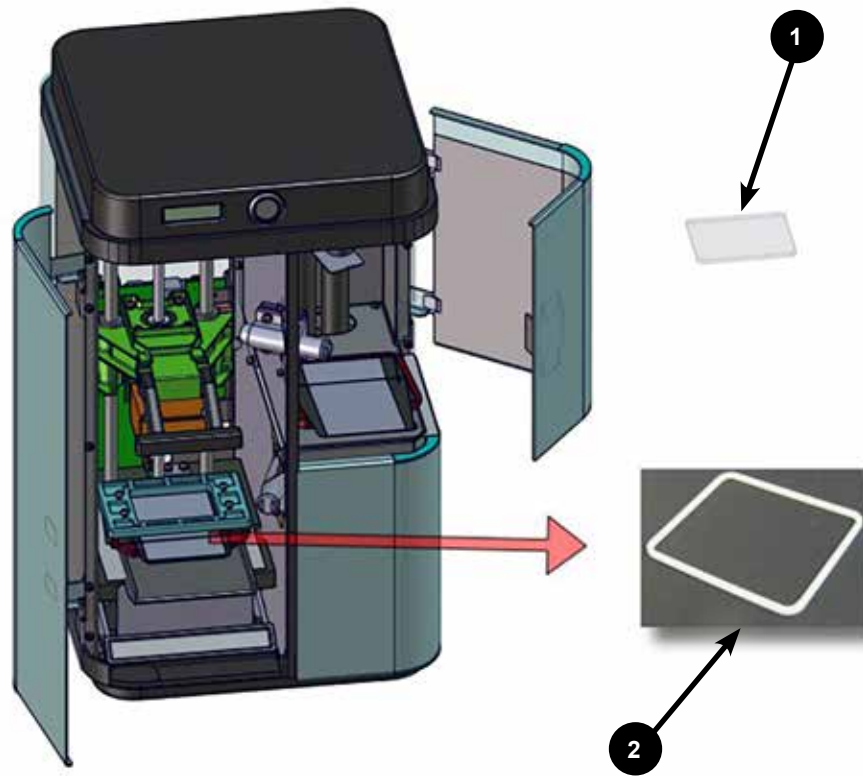
## Stepper

1	341224-00	PROJET 1200 STEPPER DRIVE
---	-----------	---------------------------



### Glass Components

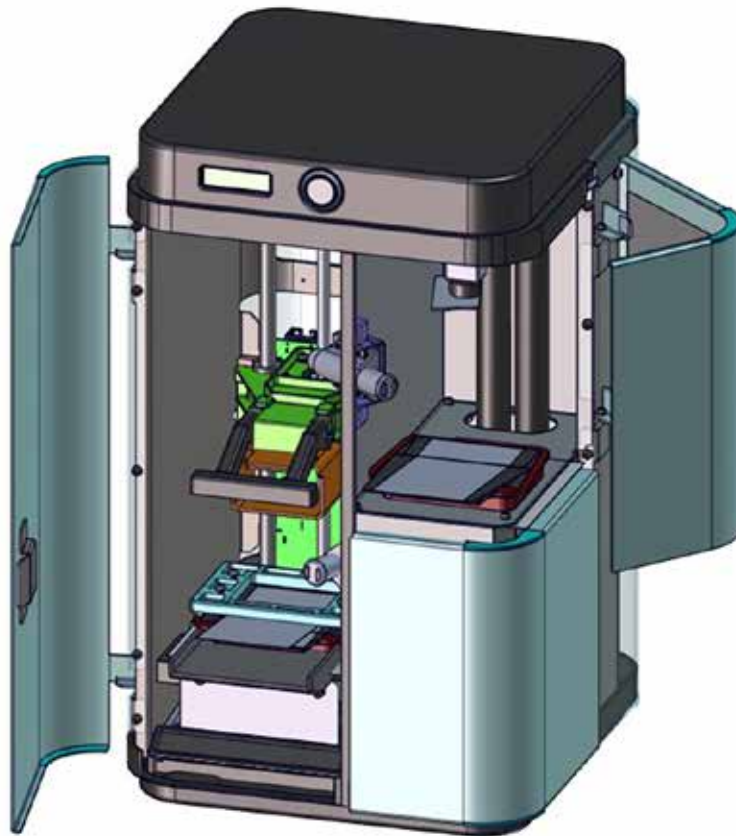
1	341291-00	PROJET 1200 GLASS PRE 6-12-2014
2	341369-00	SHIM NOT NEEDED FOR 6/12/2014 ONWARD PRINTERS





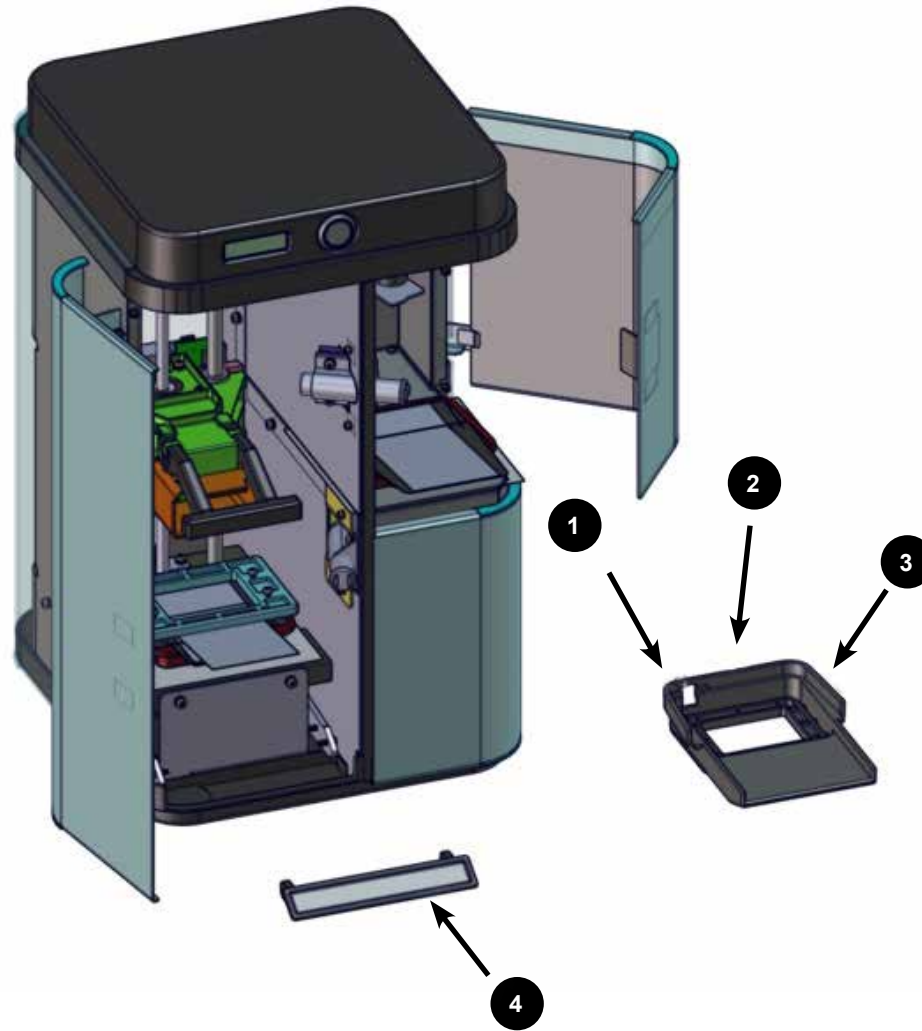
**Glass Components Cont.**

1	341368-00	GLASS FRAME ASSEMBLY (USE THIS IF MFG. DATE OF 6/12/14 OR LATER)
---	-----------	--



### Cartridge Support & Clamp Handle

1	341360-00	PROJET 1200 READER BOARD
2	341366-00	CARTRIDGE SUPPORT (PRE 6/12/2014)
3	341367-00	CARTRIDGE SUPPORT (POST 6/12/2014)
4	341422-00	CLAMP HANDLE





3D Systems, Inc.

333 Three D Systems Circle | Rock Hill, SC | 29730

[www.3dsystems.com](http://www.3dsystems.com)

Doc. # 45-D02

Rev. B

©2015 3D Systems, Inc. All rights reserved.