



ProX™ 950

3D Production Printer



Facility Requirements Guide

Original Instructions

Copyright © 2013-2014 by 3D Systems Corporation. All rights reserved, SLA, Accura, and the 3D logo are registered trademarks of 3D Systems, Inc. Specifications subject to change without notice. ProX™, 3DManage™, 3DPrint™, Lightyear, ProCure, iPro, Zephyr, QuickCast, and Viper are trademarks.

www.3dsystems.com

CONTENTS

INTRODUCTION	1
ProX 950	1
Material Delivery Module (MDM)	1
Manual Offload Cart	2
ProCure™ UV Curing Chamber	2
CONTROLLER - PART PREPARATION SOFTWARE	2
SITE SELECTION - PROX 950	3
Space Requirements	3
Floor Area/Surface	3
Floor Vibration and Shock	3
Floor Bearing Capacity	5
Electrical Requirements	5
Connection to AC Power	5
Temperature	5
Humidity	5
Altitude	7
Overall Sound Pressure Level (OASPL)	7
Air Cleanliness	7
Lighting	7
Door or Other Method of Preventing Access to Room	7
Network Access	7
Remote Operation using Web Cam (optional)	7
Telephone Service	7
SITE SELECTION - PRO CURE UV™ CHAMBER	8
Space and Location Selection	8
Connection to AC Power	8
Floor Surfaces	8
Electrical Requirements	8
Ventilation (Ductwork)	8
SYSTEM DELIVERY	10
Preparation for Receiving	10
Shipment Arrival	10
Inspect Exterior of Printer	10
Inspect ShockWatch® Indicator	11
Transporting the ProX 950	11
Third Party Supplies and Equipment	12
Required equipment includes:	12

Warranty/Disclaimer: The performance characteristics of these products may vary according to product application, operating conditions, material combined with, or with end use. No part of this publication may be reproduced in any form without written permission from 3D Systems™.

Limitation of Liability

In no event will 3D Systems™ be liable for any damages, including lost profits, cost of cover or other special, incidental, consequential or indirect damages arising from the use of this document, however caused by any theory of liability. This limitation will apply even if 3D Systems or an authorized dealer has been advised of the possibility of such damage. The document, in whole or in part, may be changed or modified at any time at the sole discretion of 3D Systems.

Optional equipment includes:	12
SYSTEM INSTALLATION	13
System De-crating	13
Scheduling Your Installation	13
Preparing for System Installation	13
Availability for Adequate Forklift or Lifting Equipment	13
Minimum Passageway and Door Openings	13
RESIN STORAGE AND SAFETY	14
Stereolithography (SL) Material Usage	14
SLAMaterial Storage	14
Resin Disposal	14
Storage and Usage Guidelines	14
APPENDIX A: INITIAL SITE SURVEY CHECKLIST	15
APPENDIX B: PRE-INSTALLATION PREPARATION CHECKLIST	16
Moving Equipment and Site Accessibility	16
SLA System Area	16
Part Finishing Area	16
Waste Disposal and Safety	16
Job Submission	16
APPENDIX C: THIRD PARTY SUPPLIES AND EQUIPMENT	17
Part Washing Systems	17
Web Cam	17
Uninterruptible Power Supply	17
Hand-Held UV Guns	17
Model Finishing Tools and Supplies	17
UV Filter Screens (For Lights and Windows)	17
Wipes	17
Miscellaneous Supplies	17
APPENDIX D: OBTAINING ASSISTANCE	18

1 INTRODUCTION

This guide provides you with information on how to properly prepare your facility for the ProX 950. This chapter introduces you to the ProX 950 machine and other system components—including lists of other support equipment and supplies that you will find helpful in setting up your facility.

Additional chapters include guidelines for the following:

- [Site Selection](#)--gives information on how much space the ProX 950 requires and the necessary services and equipment needed for a highly efficient, ideal location for your ProX 950 and its components.
- [System Delivery](#)--provides information about preparing for the delivery of your ProX 950.
- [Third Party Equipment and Supplies](#)--provides a summary of the optional equipment and supplies that 3D Systems recommends for efficient and complete part building, part processing, and finishing.
- [System Installation](#)--explains the process of, and requirements for, installing the ProX 950 in your facility.
- [Resin Storage and Safety](#)--gives you guidelines for proper storage, handling, and safety for SLA resins.

PROX 950

- The ProX 950 is a flexible and efficient [stereolithography](#) (SLA) system that produces high fidelity parts from a broad range of plastics and composites. The ProX 950 uses an SLA platform that expands the overall utilization of SLA parts in prototyping and advanced digital manufacturing. Markets include automotive, service bureaus, aerospace, and consumer goods.

The ProX 950 is only one component of the complete system. Many accessories and other components make up a ProX 950 facility:



Figure 1: The ProX™ 950

MATERIAL DELIVERY MODULE (MDM)

- The [MDM](#) is a vital system component. It contains the resin and is rolled into the ProX 950 to build parts.

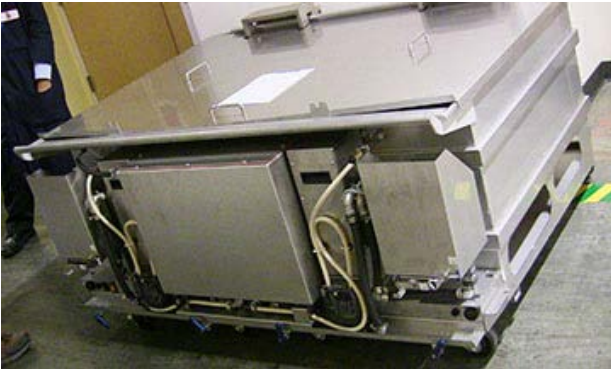


Figure 2: MDM ProX™ 950

Name	Maximum Build Volume	Fill Capacity
MDM ProX™ 950	1500 x 750 x 550 mm (59.6 x 29.5 x 21.7 in.)	935 liters (247 U.S. gal.)

Many customers order extra MDM units, particularly if they want to change resin quickly or use two materials concurrently.

Determine the quantity of MDMs that you require.

MANUAL OFFLOAD CART

- The [manual offload cart](#) is included in the base configuration when you purchase an ProX 950. You can easily remove a platform from the SLA system with a large or heavy part on it (a difficult manual process). This cart moves the platform and parts to the finishing area, where supports are removed and the part is cleaned to make it ready for the curing process.

NOTE: Only one offload cart is required per facility, when ordering multiple machines, talk to your sales representative to determine the number of carts you require for your application.

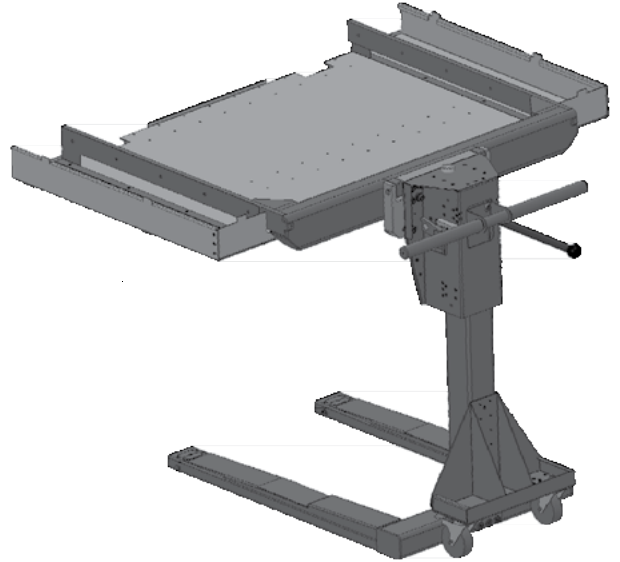


Figure 3: The ProX 950 Manual Offload Cart p/n 225540

PROCURE™ UV CURING CHAMBER

- The [ProCure 1500 UV Chamber](#) provides essential final part curing to create a fully solidified part with stable mechanical properties and safe part handling. After building on the SLA system, the part is placed in this unit. Subjecting the part(s) to UV light for a period of time will fully solidify the part. After the part is removed from the unit, adequately washed and rinsed, it is fully solidified and can be handled safely without gloves.



Figure 4: ProCure™ 1500UV Chamber

2 CONTROLLER - PART PREPARATION SOFTWARE

Included with the system is the [part preparation \(3DManage™\)](#) and [controller \(3DPrint™\) software](#). These integrated modules provide part preparation and part building functionality. The 3DPrint™ software utilizes the ProX 950 controller computer, which is an integrated part of the ProX 950. The 3DManage™ software is installed on a separate, Android™ tablet, which is mounted to the right side of the ProX 950. The following are the minimum computer configuration requirements for the part preparation computer:

Processor

- Pentium 4 2.4 GHz (*Recommended*)
- Core 2 Duo

Video Card

- OpenGL 1.4
- 128MB of graphics memory
- Native PCI express x 16 bus interface (*Recommended*)
- 1280 x 1024 Resolution (or higher)

RAM

- 2 GB (*Recommended*)
- 4 GB Dual Channel

3 SITE SELECTION - PROX 950

This section provides the requirements and recommendations to determine the most appropriate location for a highly functional, efficient ProX 950 workspace, with room for other equipment and supplies.

To help you choose a location, refer to Appendix A. The [“Initial Site Survey Checklist”](#) provides the attributes that you need to select the best location for your installation.

After narrowing the list of possible locations, consider each requirement carefully before making a decision about your final placement site.

SPACE REQUIREMENTS

User preferences, building codes, and equipment configuration help you to define the total floor area that your ProX 950 will need. The SLA system should be located in its own environmentally controlled room. Locate the secondary post processing equipment and supplies in an adjoining room or rooms, if possible. User preferences, building codes, required storage space, and other factors influence total room area. Figure 6 shows an ideal three-room site configuration that minimizes the required movement of parts after part building. Figure 7 shows the minimum dimensions of the ProX 950. Your site layout will vary.

Note: Due to laser safety requirements, the system should be located where access to the room can be avoided during service calls.

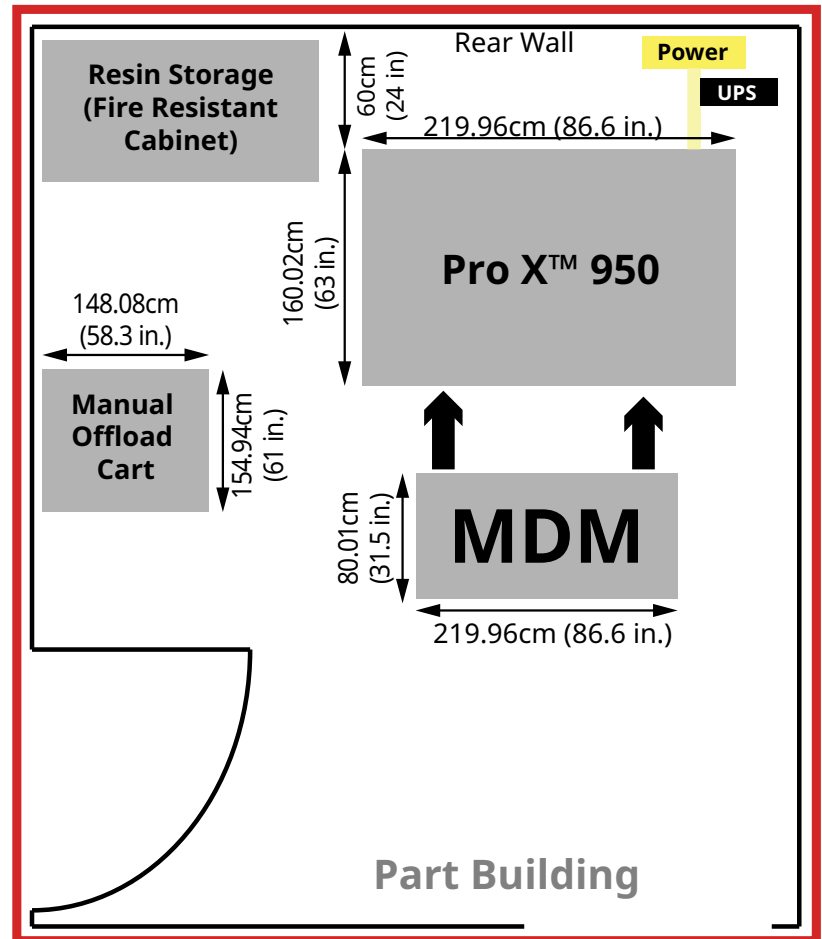


Figure 6: Optimal Site Layout (top view)

FLOOR AREA/SURFACE

Floors and counter spaces in the SLA work area should be non-porous and suitable for cleaning with solvents. The feet of the system must be on a non-resilient surface such as bare concrete. Carpeted floors must not be used. Remove any flooring where the feet of the SLA system will be placed. The system should not straddle any floor seams. The maximum permissible floor incline is 2.5 cm/12 m (1 in/40 ft).

FLOOR VIBRATION AND SHOCK

To ensure part quality and accuracy, choose a ground floor location with a thick concrete pad, which will minimize vibration. SLA equipment is slightly self-damping, and should not be affected by normal or incidental environmental vibration; however, the area should be isolated, either via location or some other physical or mechanical means, from any significant internal or external vibration sources such as heavy machinery, airplanes, or trains, which could cause unacceptable shock or vibration levels.

It is recommended that the amount of vibration/shock from the floor not exceed the SPIE 1991 VC standards of VC-A. This corresponds to a max floor velocity of 50 m/sec over a 4-80Hz bandwidth. Users are responsible verify the level of vibration in their facility.

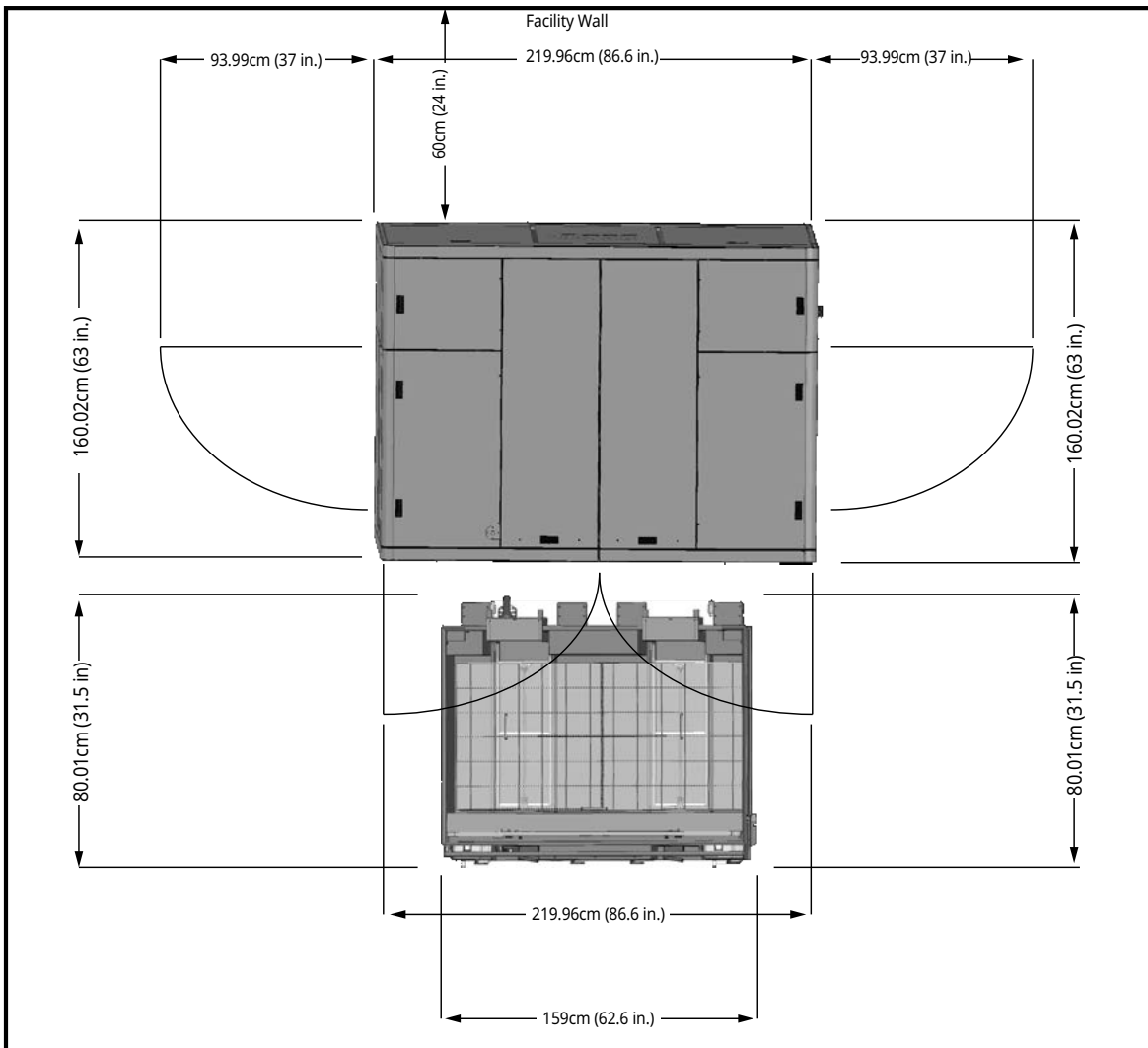


Figure 7b: ProX™ 950 system space requirements (top view)

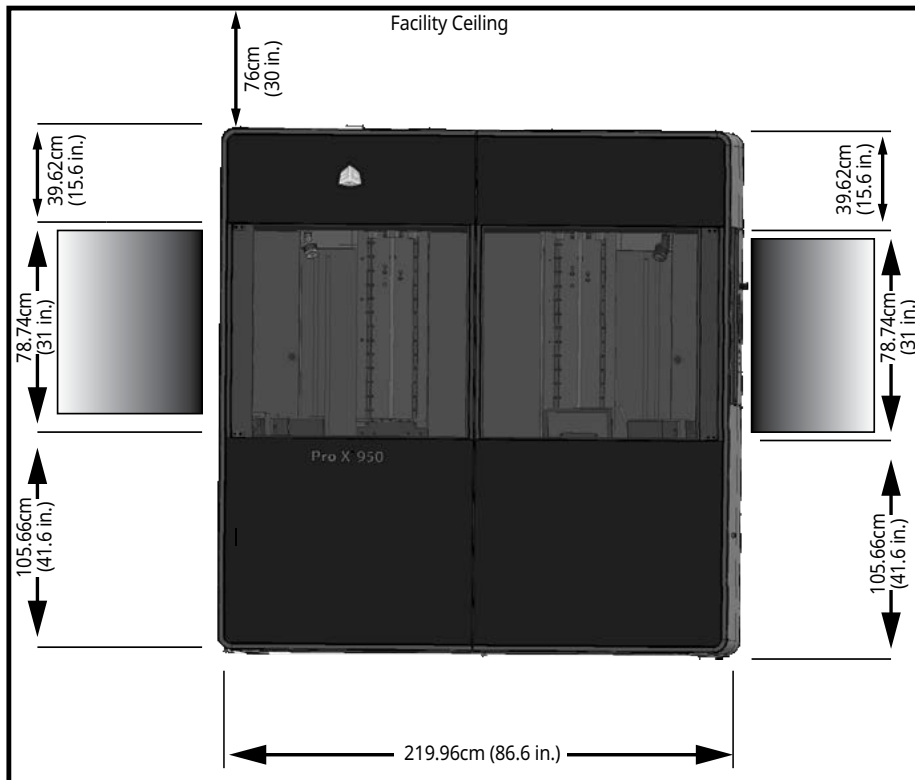


Figure 8b: ProX™ 950 system space requirements (front view)

FLOOR BEARING CAPACITY

The heaviest piece of equipment 1724 kg (3800 lb) for the ProX 950. Additional equipment, such as one or more Material Delivery Modules (MDM), will add significant weight as well. Refer to Figures 9 and 13 to determine the total weight of the equipment to be housed in your room to ensure that you don't exceed the maximum load bearing capacity that your flooring can support.

ELECTRICAL REQUIREMENTS

Electrical voltage requirements for the ProX 950 single MDM are:

- 220-240 VAC, 50/60 Hz, 50A, single-phase

Power for the ProX 950 must be on a dedicated, surge protected circuit. UPS usage is strongly recommended in areas where power fluctuations are frequent, as surges and spikes can cause damage to electronic components, and loss of power can result in failed builds or potential damage to the SLA system.

Surge and spike suppression should carry a rating of at least 1000 joules with a clamping voltage of approximately 300 VAC. Uninterruptible power, recommended especially in areas where circuits may be affected by lightning strikes, should be rated for 5kVA at a minimum. Make certain that no heavy equipment, especially large electric motors (greater than 1.5 kW or 2 hp) are connected to the same circuit. Use a pass through UPS with power conditioning. For specific information on a suitable UPS, contact a UPS manufacturer and provide the voltage rating, current draw, and desired backup time. The manufacturer can recommend an appropriate model.

HEAT DISSIPATION

The ProX 950 dissipates as much as 4580W of heat while printing and as much as 2600W while idle.

CONNECTION TO AC POWER

The ProX 950 is designed to be connected to primary AC power directly from the facility's power circuit to the machine's input power line filter. This task must be performed by a qualified electrician. The machine is shipped with a 6 gauge, 3 wire, power cord (13 feet long) with no connector.

TEMPERATURE

The temperature in the room or location where the SLA system resides should remain stable to allow optimal system operation and optimal part quality.

The working range is: 20°-26°C (68°-79°F)

Any temperature fluctuations greater than 3°C (5°F) may adversely affect parts built on the system. The rate of temperature change should not exceed 1°C (1.8°F) per hour. The air conditioning system should maintain a temperature change of less than 1°C per hour. The stereolithography room should have a minimum cooling capacity of 3.6 kW. The air should change two to five times per hour. Avoid exposure of the SLA system to direct air flow from the local air conditioning system to avoid the possibility of adversely affecting part quality.

HUMIDITY

The optimal humidity in the ProX 950 build chamber and lab will depend to a certain degree on the SLA material selection. Regardless, the humidity should always be non-condensing and should not vary outside the range of 20-50%. Review your SLA material information (MSDS/SDS, product datasheet, and product labeling) for specific information on recommended humidity levels.

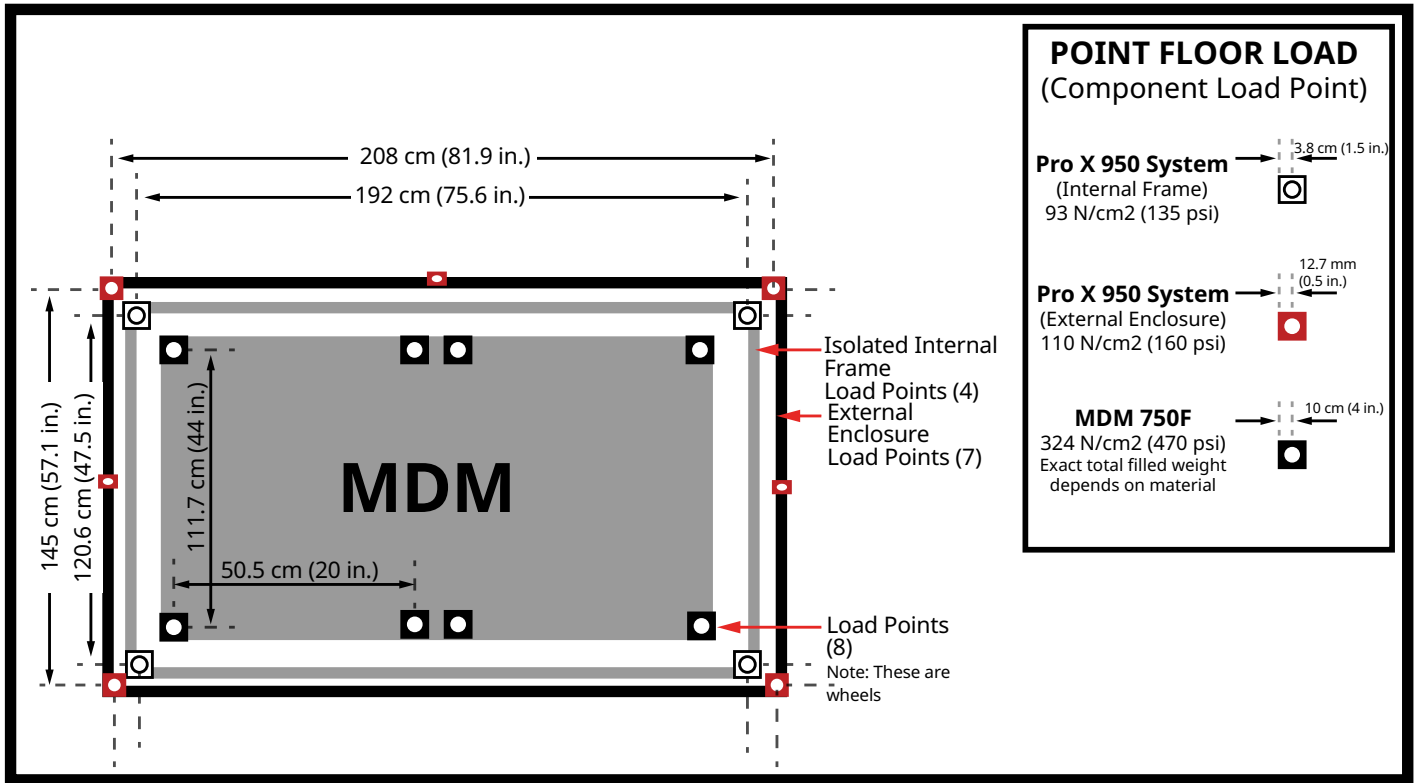


Figure 9b: Distributed Floor Load - ProX 950 and System Components

ALTITUDE

The SLA system is capable of operating correctly up to an altitude of 1000m above mean sea level.

OVERALL SOUND PRESSURE LEVEL (OASPL)

The sound of the SLA system will not exceed 70 dBA.

AIR CLEANLINESS

The room housing the SLA system should be well ventilated. Reasonable care should be taken to minimize dust and smoke which could contaminate the SLA material and cause deterioration of optical surfaces. Avoid temperature fluctuation. Since dust, smoke and temperature fluctuations can affect the performance of the machine and the quality of the parts, a restricted area with positive pressure filtered air flow is recommended. Avoid proximity to machine shop areas, or where milling, grinding, or sanding is performed.

LIGHTING

Standard fluorescent lamps with clear plastic diffusers are recommended to minimize ultraviolet exposure, which could negatively affect the SLA material. Sunlight, quartz-halogen lamps, and high-intensity incandescent lamps are not suitable, and UV-intensive lighting or ultraviolet exposure through windows should be avoided. UV filters are available for windows and exposed fluorescent lamps.

DOOR OR OTHER METHOD OF PREVENTING ACCESS TO ROOM

The site should be able to be isolated from other employees or personnel during installation or future service calls. A separate room or area that can be closed to others is necessary. The system is safe and does not present hazards to properly trained personnel operating the system in accordance with our specifications. However, the system should be installed in an area that can be cleared of untrained personnel during service and maintenance of the machine due to laser safety requirements.

NETWORK ACCESS

The SLA system controller computer includes a Class A Ethernet interface, which can be connected to a 10/100/1000 Gigabit Ethernet network to offer network access to the SLA system. A cable that is 6m long is supplied with the ProX 950. To remotely operate the ProX 950 or to remotely run service engineer diagnostics, a VPN network access is required.

REMOTE OPERATION USING WEB CAM (OPTIONAL)

With the ProX 950, a Web cam, or network camera, can monitor the build status or assist in remotely operating the system. The build chamber provides two Web cam mounting locations. See [Appendix C](#) for recommended Web cam providers.

TELEPHONE SERVICE

Dedicated telephone lines are not required for normal operation of an SLA system. You may wish to install a dedicated telephone line in the SLA system installation area to facilitate discussions with 3D Systems Customer Service personnel while the machine is in operation, should the need arise.



Figure 10: Recommended Panasonic Web Cam

4 SITE SELECTION - PRO CURE UV™ CHAMBER

Locating the ProCure 1500 UV Chamber is similar in many respects to the ProX 950. The following abbreviated site specifications are for the ProCure UV Chamber:

SPACE AND LOCATION SELECTION

The ProCure UV Chamber should be located in an appropriate room or location adjoining the ProX 950. Refer to [Figure 6](#) for a suggestion for overall layout. Consider the following additional specifications when selecting the location for your ProCure unit. Refer to [Figure 14](#) on Page 12 for weights and measurements of this unit.

Recommended floor space	7m x 4.5m	12 ft x 15 ft
Minimum ceiling height	244 cm	96 in
Recommended ceiling height	305 cm	120 in

FLOOR SURFACES

Flooring under the ProCure UV Chamber should be non-porous and suitable for cleaning with solvents. Carpeted floors are not recommended.

ELECTRICAL REQUIREMENTS

Specification - Power configuration

- 230 VAC, 50/60 Hz, 5A

Electrical power for the ProCure UV Chamber must be on a dedicated, surge protected circuit. We strongly recommend an Uninterruptible Power Supply (UPS) in areas with frequent power fluctuations; surges and spikes can damage electronic components and power loss can damage the unit.

CONNECTION TO AC POWER

The ProCure 1500 is designed to be connected to primary AC power directly from the facility's power circuit to the machine's input power line filter. This task must be performed by a qualified electrician. The machine is shipped with a 14 gauge, 3 wire, power cord (15 feet long) with no connector.

VENTILATION (DUCTWORK)

The ProCure UV Curing Chamber may be vented outside if required or appropriate. The left side of the unit has a built-in exhaust fan, and includes an 8" diameter duct connector.

If the PCA curing chamber duct is joined to a duct that has positive pressure, an extraction system should be installed, regardless of duct length. Flow restriction from a 90 degree elbow equals 5.1 m (17 ft) of duct. If the exhaust run exceeds the 60 m (200 ft) limit, an extraction system or auxiliary fan should be installed. Contact your Facilities Manager for your requirements.

Caution: Never disconnect a ducting system that is connected to an external extraction system.

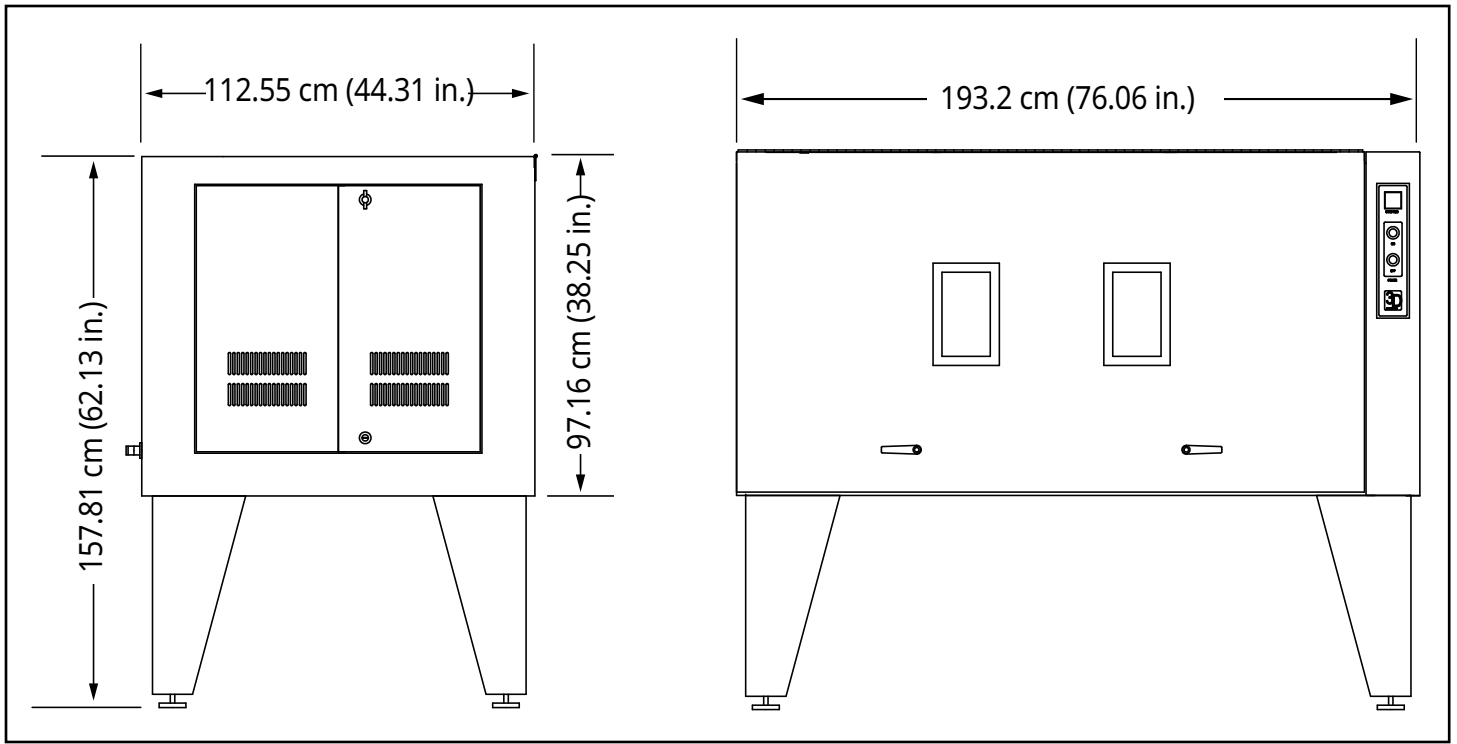


Figure 12: ProCure™ 1500 UV Chamber Dimensions

5 SYSTEM DELIVERY

After placing your order, a 3D Systems™ representative will contact you to schedule your shipment delivery date. Ensure that the area you intend to place your SLA® system is ready to move the system in to, and that you have appropriate forklifts or other lifting devices before scheduling the installation of your system by a 3D Systems representative. The following information will guide you through this preparation phase.

PREPARATION FOR RECEIVING

Being that the ProX 950 crate is quite large, have an adequate forklift available before you begin to unload the crate from the shipping truck. Make sure that the available forklift, or other lifting device, can handle the load during unloading and during de-crating. (See [Figure 13b](#) and other figures/charts below for forklift points and weights/measures.)

NOTICE: Crates can only be unpacked by, or under the supervision of, a 3D Systems Customer Support Engineer. 3D Systems™ accepts no responsibility for missing items if crates are opened without an authorized 3D Systems employee present supervising this procedure.

Inform your receiving personnel that these crates will be arriving and arrange for a location to store them until your appointment with a 3D Systems Customer Support Engineer.

Inform your receiving personnel that the crates allow forklift access from the side to make sure they can be properly unloaded or moved to your warehouse until the 3D Systems representative is scheduled to install the systems.

If you do not have an adequate forklift on-site, contact the shipping company in advance of the shipment to discuss whether one is needed for receiving the shipment. The forklift must have a minimum of 1.8m (6 ft) forks for safe and stable transport, but we recommend 2m (6.5 ft). The forks must reach past the center shipping bar ([Figure 13c](#)).

It must be rated for the weight of any of the components you ordered. The lift loops are designed to accept 1.5 in (38 mm) thick, 4 in (approximately 100 mm) wide forks. Fork extensions will not fit in the lift loops on the machine frame. Review the charts on page 11 for crated dimensions and weights of the components.

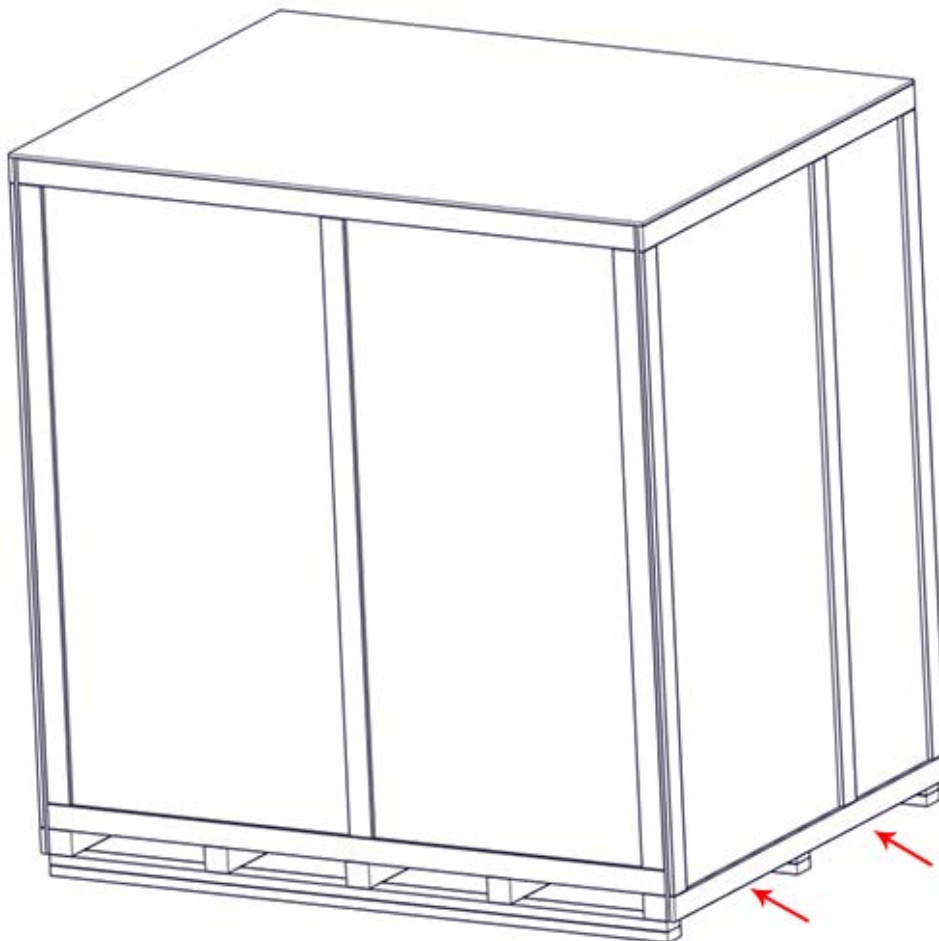


Figure 13a: Crate Fork lift points

TRANSPORTING THE PROX 950

When the 3D Systems Field Engineer arrives, and the crate is opened, use a forklift to lift the system. Refer to the following diagrams illustrating the forklift points.

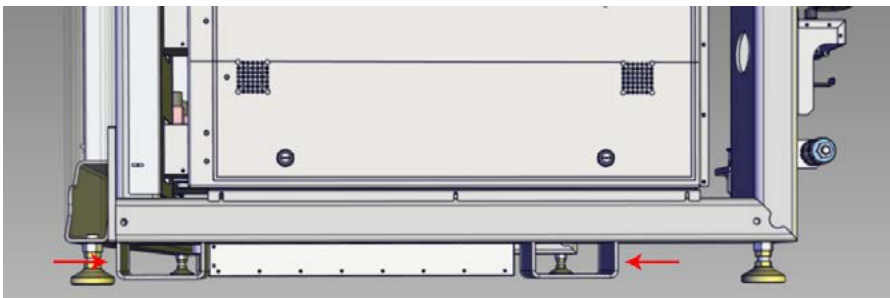


Figure 13b: Fork lift points - Recommended fork length is 2m (6.5 ft)

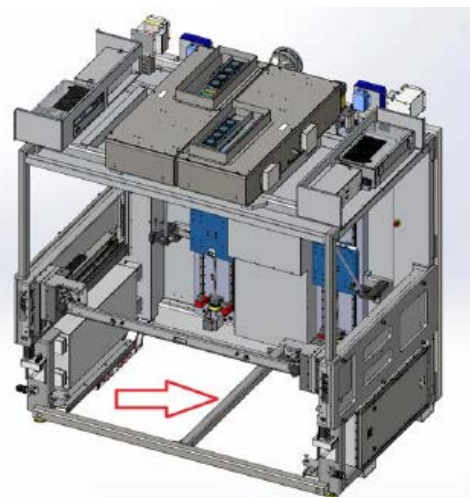


Figure 13c: Center Shipping Bar

SHIPMENT ARRIVAL

The ProX 950 facility will arrive in a variety of crates and/or pallets - the largest crate being the ProX 950.

Once your shipment arrives, first inspect the crates for any physical damage. Then, after inspection, receive the crates.

The following chart lists both crated and uncrated dimensions and weights for every possible crate that you may have ordered. Verify your order and compare to the listed items below. Crates or pallet dimensions and weights may vary.

	Crated Specifications				Uncrated Specifications				
	Width	Depth	Height	Weight	Width	Depth	Height	Weight	Weight w/ resin
Description	cm (in)	cm (in)	cm (in)	kg (lb)	cm (in)	cm (in)	cm (in)	kg (lb)	kg (lb)
ProX 950	246 (97)	188 (74)	254 (100)	2087 (4600)	221 (87)	160 (63)	226 (89)	1814 (4000)	n/a
Laser Unit (laser, power supply)	94 (37)	64 (25)	89 (35)	91 (200)	19 (7.5)	53 (20.9)	17 (6.7)	22.7 (50)	n/a
Manual Offload Cart	127 (50)	174 (68.5)	157.5 (62)	160 (350)	76 (29.8)	140 (55.1)	118 (46.3)	90 (200)	n/a
ProCure™ 1500 UV Chamber	154 (60.8)	138 (54.5)	172.7 (68)	520 (1120)	148 (58.3)	120 (47.2)	178 (70.1)	30 (950)	n/a
RDM ProX 950	183 (72)	183 (72)	112 (44)	454 (1000)	160 (63)	142 (56)	79 (31)	340 (750)	1353 (2977)

Figure 14: Weight and Dimensions - System Components

INSPECT EXTERIOR OF PRINTER

Visually inspect the exterior of the printer for any damage incurred during shipping. Notify 3D Systems Service immediately if anything is evident at this point. DO NOT proceed with the installation until you have discussed the damage with Service.

INSPECT SHOCKWATCH® INDICATOR

Check the ShockWatch® indicators (towards top of crate and at bottom of crate).

If indicator(s) are red:

1. Do not refuse shipment
2. Make notation on delivery receipt and inspect the container for signs of damage
3. If damage is discovered, leave item in original container and packaging, and request immediate inspection from carrier within 15 days from delivery date.

If indicator is not red, machine is cleared to uncrate by a 3D Systems Field Service Engineer or an authorized reseller.



THIRD PARTY SUPPLIES AND EQUIPMENT

Third party supplies and equipment are purchased from parties other than 3D Systems™. These components are recommended or required for full post-processing capability. These items should be found and delivered prior to the installation of your ProX 950. Your 3D Systems representative can offer guidance regarding optimal placement and location of this equipment.

For a partial list of providers for this equipment, refer to [Appendix C - Third Party Supplies and Equipment Sources](#).

These supplies, accessories, and equipment provides SLA system owners with complete part-building, processing, and finishing capability.

Required equipment includes:

- Uninterruptible Power Supply (UPS) and any miscellaneous cables or cords - minimum rating of 5KVA for the ProX 950.
- SLA part post-processing equipment and supplies (see accompanying sidebar for a complete list).
- Safety equipment (see sidebar).
- One or more Windows XP Professional, Vista, or Windows 7-equipped workstations. At least one system must be available at installation time to load this computer with 3D Systems' 3DManage™ software. Ask your 3D Systems representative about loading this software in advance of your installation appointment.

Optional equipment includes:

- Functioning network connection of a computer to the SLA system. If no network is available, ensure a computer is in close proximity to the SLA system during your installation appointment.
- Web Cam —with the ProX 950 , a web cam may be installed to monitor the build status. Recommended Web Cam is Panasonic KX-HCM280.

Support equipment which includes, but is not limited to:

- Part cleaning and finishing equipment - this may be a very simple system, or more complex, depending on your needs and space. Minimally, two covered tubs are needed to accommodate ProX 950 platforms so the parts may be washed and rinsed after building.
- Sink(s).
- Resin storage cabinet (fire resistant).
- Workbench —for processing parts and removing supports —“green” area and clean area with down-draft table for sanding.
- Any desired post-processing equipment —to sand, join, paint booth, grind, polish, paint or plate SLA parts.
- Compressed air connection with pressure controller and fast closing connection for parts finishing, if desired.

Recommended safety equipment and supplies:

- Fire extinguishers.
- Smoke alarm in room.
- Eyewash stations.
- Protective clothing, including chemical-resistant nitrile gloves and lab coats with long sleeves.
- Safety eye glasses with side shields and UV coating.
- Hazardous waste cans for chemicals

6 SYSTEM INSTALLATION

Installation of your system encompasses four separate steps:

1. Purchase and arrival of third party equipment or supplies you may have ordered.
2. Scheduling your installation with a 3D Systems representative.
3. Delivery of your SLA system shipment.
4. De-crating and installation of your SLA system components.

SYSTEM DE-CRATING

Your 3D Systems Field Service Representative will supervise or perform all crate unpacking. A 3D Systems representative will contact you and schedule an appointment to install your system; do not open crates until the 3D Systems representative arrives to personally de-crate and install the system.



Note: 3D Systems cannot assume responsibility for contents of the crates if they are opened without 3D Systems' supervision.

SCHEDULING YOUR INSTALLATION

The 3D Systems authorized representative will schedule an appointment with you to install all the components and products purchased with your ProX 950. Allow a minimum of one week for your system installation, but discuss the expected installation duration with your 3D Systems representative; every situation is unique and installation depends on equipment, location, and other factors.

PREPARING FOR SYSTEM INSTALLATION

In preparing your facility for SLA system placement, you must consider four main factors:

Make sure that you have the necessary doorway and passageway clearance to move either the crated or uncrated components to their final destinations.

- Make sure that you have an adequate forklift and a trained forklift driver or other lifting equipment that can move oversized system components - either crated or uncrated.
- Verify that the lifting equipment is rated for the load from the system components.
- Do not allow the system weight load to exceed your floor's load rating maximum.

AVAILABILITY FOR ADEQUATE FORKLIFT OR LIFTING EQUIPMENT

You must have a forklift and a trained forklift driver available during installation. Make sure that the forklift is rated to a weight capacity that is equal to or greater than the crated weight of the SLA system. Refer to [Figure 14](#).

The ProX 950 is crated so that it can be lifted from the narrow end. Regardless, the forklift must meet minimum weight requirements and be equipped with 1.8 m (6 ft) forks (2.0 m (6.5 ft) is recommended) and typically carry a rating of at least 2404 kg (5300 lb.) for the ProX 950 that is crated and 1769 kg (3900 lb.) uncrated. **Be very careful not to tilt the crate.**

The center of gravity for the ProX 950 is located at approximately the center of the shipping crate.

MINIMUM PASSAGEWAY AND DOOR OPENINGS

Most standard doorways and halls provide adequate access for moving the system. Considering the ProX 950 (crated) is lifted on its narrow side, each passageway and doorway must be wide enough to move and turn a crate measuring: 242 cm (95 in) long and 173 cm (68 in) wide for the ProX 950 in addition to the forklift.

Determine the pathway to where your SLA system will be installed from where the crated components are stored. Walk the path from the storage location to the final destination of the system, and measure any critical doorways or passageways to ensure that the equipment can be moved through the area.

If a passageway or doorway is too small for the crated SLA system, it may be necessary for the 3D Systems Field Service Engineer to remove the SLA system from its crate before moving the unit.

The minimum height of the doorway must be 226 cm (89 in), which will allow a 1.3 cm (0.5 in) clearance when the ProX™ 950 is lifted 1.3 cm (0.5 in.) off the floor. Any lift requirements greater than 1.3 cm (0.5 in) will require additional door height.

7 RESIN STORAGE AND SAFETY

You are responsible for ensuring that the facility where your SLA® system and stereolithography (SLA) materials are housed is properly configured for safe operation of the SLA system and of the materials used in that system. Personnel who operate the equipment or use the materials must comply with all relevant safety codes and applicable regulatory requirements and laws, particularly those that relate to usage of hazardous chemicals, laser radiation, and to disposal of regulated material. The system conforms to Federal Laser Product Performance Standards 21CFR1040.10 Class I laser in normal operation and/or bypass mode. During field service, emission levels correspond to a Class IV laser product. The ProX 950 complies with CE requirements.



Note: You are responsible for determining whether additional supplies and equipment are necessary according to local, state, federal or other regulatory laws that govern your location.

STEREOLITHOGRAPHY (SLA) MATERIAL USAGE

SLA resins in the liquid state require use of approved surgical-type 100% nitrile gloves and other equipment to protect the user from direct contact with the uncured, or liquid, material. In general, resin is fully cured only after adequate exposure in the ProCure™ UV chamber; only after being fully cured, do the parts no longer require protective gloves to handle.

SLA MATERIAL STORAGE

Prior to actual use of the SLA material, read the Material Safety Data Sheet (MSDS) for the material(s) that you have selected; follow the instructions and guidelines that those documents provide. You may also refer to the resin manufacturers' material safety and handling guides for more information about resin handling.

RESIN DISPOSAL

Because stereolithography materials are regulated, they are subject to special disposal requirements by your local, federal, or other regulatory agencies. Follow applicable disposal guidelines. Contact a local waste management company for recommendations on disposal requirements that affect your facility.

Do not leave uncured, or liquid, resins in an area where persons who are not knowledgeable about their handling or use may have access to them. If your area requires a regulated waste disposal, consult with and retain a waste management company to periodically pick up regulated waste. Your local waste management company may recommend that you set up a drum, or other approved container, to dispose of liquid resin and of any materials (such as paper towels or gloves) that may have come into contact with the uncured liquid resin.

After part building in the SLA system, the parts are not yet fully cured, and must be post-cured using the ProCure UV Chamber. After an adequate period of UV light exposure in the ProCure chamber, the parts should be fully solidified and then may be handled without the precaution of gloves.



Note: Inspect your parts after curing in the ProCure UV chamber to ensure they are fully solidified. Part surface tackiness, visible or discernable areas of liquid resin indicate the part is not fully cured.

STORAGE AND USAGE GUIDELINES

- Always wear appropriate safety equipment, such as 100% nitrile gloves when handling uncured liquid resin. Protect your body from any direct contact with uncured liquid SLA resin.
- Always read the Material Safety Data Sheet (MSDS) or Safety Data Sheet (SDS) prior to use of any SLA resin material.
- Always use the oldest SLA material first. All SLA materials have a shelf life, usually one year from the date of manufacture. Using the oldest material first helps you to use all your purchased materials within that period of time.
- During storage, shield the SLA material from sunlight or other sources of actinic radiation, such as fluorescent or mercury vapor lights. Exposing the resin to UV radiation increases product viscosity and polymerization, making the SLA material unsuitable for part building. Storing resin above the maximum recommended temperature can make the resin unsuitable for part building.
- Store containers of SLA materials indoors at temperatures between 16°C (60 °F) and 27°C (80 °F). Storing at temperatures above this maximum could render the material unusable for part building.
- We recommend storing your SLA materials in a fire-resistant storage cabinet.

8 APPENDIX A: INITIAL SITE SURVEY CHECKLIST

Survey the areas where you have considered placing your new SLA system. Consider the following factors before you decide on your ProX 950 facility.

Option 1

Option 2

Option 3

Option			
1	2	3	
<input type="checkbox"/>	<input type="checkbox"/>	<input type="checkbox"/>	Is there enough space for all equipment in that area, or will you separate the SLA system from the secondary finishing equipment? (See page 3)
<input type="checkbox"/>	<input type="checkbox"/>	<input type="checkbox"/>	Is the flooring a solid, nonporous surface suitable for cleaning with isopropyl alcohol? (See page 3)
<input type="checkbox"/>	<input type="checkbox"/>	<input type="checkbox"/>	Can the location be isolated, as a laser safety precaution? Can closing and locking the door during installation or a service call prevent access to the location by unauthorized personnel? (See page 3)
<input type="checkbox"/>	<input type="checkbox"/>	<input type="checkbox"/>	Can the required equipment and accessories be located either in the same room or in an adjoining room to the ProX 950? (See page 3)
<input type="checkbox"/>	<input type="checkbox"/>	<input type="checkbox"/>	Is the air conditioning adequate for that area? (See page 6)
<input type="checkbox"/>	<input type="checkbox"/>	<input type="checkbox"/>	Can humidity be maintained at an appropriate non-condensing level for the SLA material (20-50%)? (See page 6)
<input type="checkbox"/>	<input type="checkbox"/>	<input type="checkbox"/>	Is adequate electrical power available to the site? Are there at least two 220 V circuits; two outlets, each with its own circuit and at least one additional 110/220 V outlet for servicing the system? (See pages 6 and 9)
<input type="checkbox"/>	<input type="checkbox"/>	<input type="checkbox"/>	Is there minimal UV-intensive lighting or natural sunlight? (See page 8)
<input type="checkbox"/>	<input type="checkbox"/>	<input type="checkbox"/>	Is 10/100/1000 BASE-T Ethernet network and cabling installed to the location? (See page 8)
<input type="checkbox"/>	<input type="checkbox"/>	<input type="checkbox"/>	Is the room clean? Is construction of floors, ceilings, and walls complete? (See page 8)
<input type="checkbox"/>	<input type="checkbox"/>	<input type="checkbox"/>	Does the location offer network access to connect an optional Web cam for remote viewing? (See page 8)
<input type="checkbox"/>	<input type="checkbox"/>	<input type="checkbox"/>	Is an appropriate forklift available during the installation appointment to move the system and its accessories to their designated location? (See page 11)
<input type="checkbox"/>	<input type="checkbox"/>	<input type="checkbox"/>	Are the hallways and doorways adequate to allow passage of a forklift carrying a crated or un-crated SLA system? (See page 11)
<input type="checkbox"/>	<input type="checkbox"/>	<input type="checkbox"/>	<ul style="list-style-type: none"> • ProCure UV Chamber?
<input type="checkbox"/>	<input type="checkbox"/>	<input type="checkbox"/>	<ul style="list-style-type: none"> • Bench for cleaning parts?
<input type="checkbox"/>	<input type="checkbox"/>	<input type="checkbox"/>	<ul style="list-style-type: none"> • Green part rinsing and finishing area?
<input type="checkbox"/>	<input type="checkbox"/>	<input type="checkbox"/>	<ul style="list-style-type: none"> • Sink and eyewash station?
<input type="checkbox"/>	<input type="checkbox"/>	<input type="checkbox"/>	Is there a compressed air connection with pressure controller and fast closing connection? (Optional)

9 APPENDIX B: PRE-INSTALLATION PREPARATION CHECKLIST

The following list helps you to prepare for your ProX 950. Prior to scheduling the installation appointment with a 3D Systems representative, complete the checklist and fax it to your 3D Systems Customer Support Engineer.

MOVING EQUIPMENT AND SITE ACCESSIBILITY

- Is there an adequately rated forklift available during installation to move the equipment to its destination?
- Have you coordinated the move with your shipping department?
- Is there adequate doorway and hallway clearance to move system components using available moving equipment?

SLA SYSTEM AREA

- Is adequate space available for the equipment and supplies? (See "[Site Selection](#)" starting on Page 3)
- Is the site prepared properly (according to the "[Site Selection](#)" on Page 3 of this guide)?
- Are the following electrical power outlets in place?
 - For the ProX 950 : Do the electrical power requirements meet the specifications in "[Site Selection](#)" on Page 6 of this guide?
 - For service and other uses: Are there two additional outlets, 110/220 V?
- In the room where the ProX 950 will be installed does the air conditioning meet the following requirements?
 - Is there a minimum cooling capacity of 3.6 kW in the room?
 - Is the temperature change less than 1°C (1.8°F) per hour?
 - Is humidity maintained at an appropriate non-condensing level for the resin (20-50%)?
 - Does the air change two to five times per hour?
- Is 10/100/1000BASE-T Ethernet network cabling installed and in working order?
- Is a cabinet available to store resin containers?
- Does the room have a door that can be closed and locked during installation?
- Is there a network connection? (Optional)
- Is there a telephone line? (Optional)

PART FINISHING AREA

- Is adequate space available for the equipment and supplies? (See [Space Requirements](#) section on Page 9)
- Is all construction to floors, ceilings, and walls complete and does it meet local building code specifications? Are floors clean and free of debris? Are floors easily cleanable with solvents?
- Have you decided what other equipment, accessories, and supplies that you want to have with the ProX 950 ? Have you decided on a location for these items? (Refer to [Figure 6](#) on Page 3)
- Has a compressed air connection with a pressure controller and fast closing connection been installed? (Optional for parts finishing)
- Is a workbench available that has negative pressure and electricity for power hand tools?
- Are electrical outlets and power available?
- Is there a 110/220V outlet available for the Pro-Cure UV Curing chamber?
- Are there enough 110/220V outlets available in the room for equipment and tools?
- Have you installed the duct (if required) for ventilation of the ProCure UV Chamber?
- Is all the recommended safety equipment available, including nitrile gloves and wipes?

WASTE DISPOSAL AND SAFETY

- Has a local waste disposal company been arranged for periodic pickup of waste materials?

JOB SUBMISSION

(Workstations and Network Access)

- Has 3D Systems software been loaded on at least one workstation so that we can submit a build job to the SLA system?
- Is the software loaded?
- Is the computer on the network?

FAX this completed page to (803) 324-4311

Completed by:

Customer Representative

Date

Assigned 3D Systems Customer Support

Engineer Forwarded Date

10 APPENDIX C: THIRD PARTY SUPPLIES AND EQUIPMENT

3D Systems™ provides this partial list of equipment and supplies of relevant accessories or supplies that are useful for handling, processing or finishing SLA parts. Equipment and supplies are not limited to this list, and other vendors may provide similar or like products.



Note: Customers are responsible for consulting local health, safety, and environmental regulations to determine additional site requirements. No information that is contained in this document constitutes legal advice regarding such requirements. 3D Systems™ has no responsibility to determine whether or not the customer is in compliance with applicable laws, nor do we guarantee the accuracy or quality of the supplier product.

Part Washing Systems

Custom large/oversize washers, or off-the-shelf models from:

RAMCO Equipment Corporation

32 Montgomery St.
Hillside, NJ 07205
Tel: 800-553-3650
Fax: 908-687-0653

Refer to these RAMCO products:

MK36CSSX/TPM TPM Wash Unit
MK36CSSX/WRU Water Rinse Unit
SA-WRU Water Recycling Unit

Web Cam

Panasonic Model KX-HCM280 is recommended.

Uninterruptible Power Supply

American Power Conversion or Toshiba
5KVA

Hand-Held UV Guns

DDU Enterprises

2909 Oregon Ct, Ste A2
Torrance, CA 90503
Tel: 310.781.1199 Fax: 310.781.9223

Model Finishing Tools and Supplies

Micro-Mark

340 Snyder Ave.
Berkeley Heights, NJ 07922
Tel: 800.225.1066 Fax: 908.665.9383

Emerson Electric Co., Dremel Division

4915 21st St,
Racine, WI 53406
Tel: 414.554.1390 Fax: 414.554.7654

UV Filter Screens (For Lights and Windows)

UV Process Supply, Inc.

1229 E. Courtland St.
Chicago, IL 60614
Tel: 800.621.1296 Fax: 312.880.6647

Wipes

TexWipe Co. (TexSwab)
POB 308
650 E Crescent Ave,
Upper Saddle River, NJ 07458

Tel: 201-327-9100

Miscellaneous Supplies

(available from many lab safety companies):

- Cellulose Wadding (drain pads)
- Chemically Resistant Gloves (3D Systems recommends surgical-type 100% nitrile gloves)
- Eye Wash Stations
- Fire Extinguisher
- Fire Proof Waste Can
- Fire-resistant Storage Cabinets
- Lab Coats
- Neoprene Coated Gloves (for working with TPM)
- Tri-Propylene Glycol Monomethyl Ether (TPM)
- Safety Glasses (300-400 nm UV-blocking) — with side shielding

11 APPENDIX D: OBTAINING ASSISTANCE

When you need assistance with the installation of your SLA system, contact your 3D Systems Field Service Engineer or your 3D Systems Sales Representative.

U.S.A.

3D Systems, Inc.
333 Three D Systems Circle
Rock Hill, SC 29730
U.S.A.

General Inquiries: (803) 326-3930
Material Orders: (800) 889-2964
Customer Support: (800) 793-3669
E-mail: moreinfo@3dsystems.com

Germany

3D Systems GmbH
Guerickeweg 9
D-64291 Darmstadt,
GERMANY

General Inquiries: +49-6151-357 0
Material Orders: +49-6151-357 234
Customer Support: +49-6151-357 357
E-mail: hotline.de@3dsystems.com

Hong Kong

3D Systems
21st Floor
Honest Motor Building
9-11 Leighton Road Causeway
Hong Kong

General Inquiries: (+852) 29 23 50 77
Material Orders: (+852) 29 23 50 77
Customer Support: (+852) 29 23 50 77
E-mail: asiainfo@3dsystems.com

Italy

3D Systems
Via Archimede 42
20041 Agrate Brianza
(MI)
ITALY

General Inquiries: (+39) 039 68904 00
Material Orders: +39) 039 68904 00
Customer Support: +49 (0) 6151 357 357
E-mail: marketing.it@3dsystems.com

Japan

3D Systems Japan K.K.
4-6-8 Tsurumaki
Setagaya-ku,
Tokyo 154-0016

JAPAN

General Inquiries: (+81) 3 5451 1690
Material Orders: (+81) 3 5451 1690
Customer Support: (+81) 3 5451 1690
E-mail: japaninfo@3dsystems.com

U.K.

3D Systems Europe Ltd
Mark House, Mark Road
Hemel Hempstead
Herts HP2 7UA
UNITED KINGDOM

General Inquiries: +44 1442 282600
Material Orders: +44 1442 282665
Customer Support: +44 1442 282665
E-mail: marketing.uk@3dsystems.com

Switzerland

3D Systems, Inc.
PO Box 259
1723 Marly
Switzerland
Tel.

+41-26-439 95 90

France

3D Systems
49, rue du Bois Chaland
91090 Lisses
FRANCE

Tél. : (+33) 01 60 87 88 77
Fax : (+33) 01 60 87 07 66
Email : marketing@3dsystems.fr

Thank You...

We at 3D Systems sincerely hope you will be happy with the purchase of your ProX 950. As a company, we are dedicated to developing a relationship with customers that extends beyond the terms of the sale. We are in the business of devising solutions to our customer's needs.

Please take the time to contact us with any questions, problems, suggestions, or other comments while working with our products, services, and people. Tell us about your applications, your successes, and your difficulties. We are constantly striving for higher quality, better products, and comprehensive services to benefit our customers.

INDEX

Symbols

(Workstations and Network Access) 16

A

Air Cleanliness 7
Altitude 7
Appendix A 15
Appendix B 16
Appendix C 17
Appendix D 18
Availability for Adequate Forklift or Lifting Equipment 13

B

but is not limited to: 12

C

Connection to AC Power 5
Controller - Part Preparation Software 2
Crated Specifications 10

D

Door or Other Method of Preventing Access to Room 7

E

Electrical Requirements 5, 8

F

Figure 1: The ProX 950™ SLA® Center 1
Figure 2: MDM ProX™ 950 1
Figure 3: The ProX 950™ SLA® Center Manual Offload Cart 2
Figure 4: ProCure™ 750UV Chamber 2
Figure 5: Part Preparation Software 2
Figure 6: Optimal Site Layout 3
Figure 7b: ProX 950™ system space requirements (top view) 4
Figure 8b: ProX 950™ system space requirements (front view) 4
Figure 9a: Distributed Floor Load - ProX 950 and system components 5
Figure 9b: Distributed Floor Load - ProX 950 and system components 6
Figure 10: Recommended Panasonic Web Cam 7
Figure 12: IEC 60320 C13 connector and C14 inlet are rated 10A (VDE) and 15A (UL & CSA) 8
Figure 12: ProCure™ 750 UV Chamber Dimensions 9
Figure 13: Weight and Dimensions - System Components 10
Figure 14: Forklift lift points - ProX 950™ SLA® Center 11
Floor Area/Surface 3
Floor Bearing Capacity 5
Floor Surfaces 8
Floor Vibration and Shock 3
France 18

G

Germany 18

H	
Hand-Held UV Guns	17
Hong Kong	18
Humidity	5
I	
Initial Site Survey Checklist	3, 15
Introduction	1
Italy	18
J	
Japan	18
Job Submission	16
L	
Lighting	7
M	
Manual Offload Cart	2
Minimum Passageway and Door Openings	13
Miscellaneous Supplies	17
Model Finishing Tools and Supplies	17
Moving Equipment and Site Accessibility	16
N	
Network Access	7
O	
Optional equipment includes:	12
P	
Part Finishing Area	16
Part Washing Systems	17
Preparation for Receiving	10
Preparing for System Installation	13
ProCure™ UVCuring Chamber	2
ProX 950™ SLA® Center	1
R	
Recommended safety equipment and supplies:	12
Remote Operation using Web Cam (optional)	7
Required equipment includes	12
Resin Delivery Module (RDM)	1
Resin Disposal	14
Resin Storage and Safety	1, 14
S	
Scheduling Your Installation	13
Shipment Arrival	10
Site Selection	1
Site Selection - ProCure UV™ Chamber	8
Site Selection - ProX 950™ SLA® Center	3

SLA System Area	16
SLAMaterial Storage	14
Space and Location Selection	8
Space Requirements	3
Stereolithography (SL) Material Usage	14
Storage and Usage Guidelines	14
Support equipment which includes	12
Switzerland	18
System De-crating	13
System Delivery	1, 10
System Installation	1, 13
T	
Telephone Service	7
Temperature	5
Third Party Equipment and Supplies	1
Third Party Supplies and Equipment	12, 17
Transporting the ProX 950™ SLA® Center	11
U	
U.K.	18
Uncrated Specifications	10
Uninterruptible Power Supply	17
U.S.A.	18
UV Filter Screens (For Lights and Windows)	17
V	
Ventilation (Ductwork)	8
W	
Waste Disposal and Safety	16
Web Cam	17
Wipes	17



3D Systems, Inc.
333 Three D Systems Circle | Rock Hill, SC | 29730
www.3dsystems.com

©2016 3D Systems, Inc. All rights reserved.