

1. ProJet™ 7000 Facility Requirements Guide	2
1.1 02.0 What is a Facility Requirements Guide	3
1.2 03.0 Symbols Used in this Guide	4
1.3 04.0 The ProJet™ 7000 System	5
1.4 05.0 Facility Guidelines	6
1.4.1 05.1 Moving Equipment and Access for System Installation	7
1.4.2 05.2 ProJet™ 7000 Physical Dimensions	8
1.4.3 05.3 Floor Specifications	11
1.4.4 05.4 Room Size	12
1.4.5 05.5 Electrical Requirements	13
1.4.6 05.6 Client Workstation Requirements to Operate 3DManage	14
1.4.7 05.7 Network Interface	15
1.4.8 05.8 Safety Information	16
1.4.9 05.9 Print Material Handling and Safety	17
1.5 06.0 Operating Environment	20
1.5.1 06.1 Air Quality and Temperature	21
1.5.2 06.2 Humidity	22
1.5.3 06.3 Lighting	23
1.5.4 06.4 Vibration and Shock	24
1.6 07.0 Limitations of Liability	25
1.7 08.0 Safety Notice	26
1.8 09.0 Thank You	27
1.9 10.0 Contacting 3D Systems	28
1.10 11.0 Ancillary Supplies and Equipment	30
1.11 12.0 Initial Site Survey Checklist	31
1.12 13.0 Pre-Installation Checklist	32

ProJet™ 7000 Facility Requirements Guide

Table of Contents

- 02.0 What is a Facility Requirements Guide
- 03.0 Symbols Used in this Guide
- 04.0 The ProJet™ 7000 System
- 05.0 Facility Guidelines
 - 05.1 Moving Equipment and Access for System Installation
 - 05.2 ProJet™ 7000 Physical Dimensions
 - 05.3 Floor Specifications
 - 05.4 Room Size
 - 05.5 Electrical Requirements
 - 05.6 Client Workstation Requirements to Operate 3DManage
 - 05.7 Network Interface
 - 05.8 Safety Information
 - 05.9 Print Material Handling and Safety
- 06.0 Operating Environment
 - 06.1 Air Quality and Temperature
 - 06.2 Humidity
 - 06.3 Lighting
 - 06.4 Vibration and Shock
- 07.0 Limitations of Liability
- 08.0 Safety Notice
- 09.0 Thank You
- 10.0 Contacting 3D Systems
- 11.0 Ancillary Supplies and Equipment
- 12.0 Initial Site Survey Checklist
- 13.0 Pre-Installation Checklist

02.0 What is a Facility Requirements Guide

This guide provides important information on selecting a facility location and planning for the installation of 3D Systems' ProJet™ 7000. It also presents planning guidelines to facilitate fast, convenient installation and operation of your modeler.

What's Inside:

- A description of hardware, software, networking components, and documentation that comprise the ProJet™ 7000.
- An overview of the site requirements and recommendations in typical engineering and design work spaces. These involve basic access, electrical, and environmental considerations for configuring a safe and efficient work area.
- A checklist is included to ensure that the facility is adequately prepared for installation of your modeler.
- Information on how to obtain assistance from 3D Systems Customer Support Team.

03.0 Symbols Used in this Guide

The following table contains an illustration and description of the safety symbols which are posted on the ProJet™ 7000 and used throughout this manual.

	<p>ELECTRIC SHOCK HAZARD High voltage electricity is accessible in the vicinity of this sign or behind the access panel. High voltage can cause severe burns or death. Access panels are for service only and should be opened only by certified service personnel.</p>
	<p>HOT SURFACES HAZARD There are surfaces and powders in the vicinity that may be hot and could cause severe burns or fire.</p>
	<p>LASER RADIATION HAZARD Invisible laser radiation is accessible in the vicinity of this sign or behind the access panel. Direct and scattered radiation can cause severe burns and blindness. Access panels are for service only and should be opened only by certified service personnel.</p>
	<p>Operation with process door open is strictly forbidden! Class 4 laser equipment During any adjustment or maintenance with the laser on and the chamber door open wear laser eyewear as specified in 2.08 Laser Safety, of the Users Guide.</p>
	<p>CRUSH HAZARD Mechanical motion of machine components presents a crush hazard in the vicinity of this sign. Crush hazards can result in severe bodily injury or death.</p>
	<p>CAUTION Indicates the possibility of damage to the equipment.</p>
	<p>WARNING Indicates the possibility of injury or death to personnel.</p>
	<p>IRRITANT Indicates that skin or eye irritation could result while exposed to a chemical composition.</p>

04.0 The ProJet™ 7000 System

Equipment Supplied by 3D Systems

- Material Cart
- Print Tray
- Two print platforms
- 3D Manage™ part preparation software

Additional print platforms, print applicator mechanisms and material carts can be obtained from 3D Systems.

05.0 Facility Guidelines

- 05.1 Moving Equipment and Access for System Installation
- 05.2 ProJet™ 7000 Physical Dimensions
- 05.3 Floor Specifications
- 05.4 Room Size
- 05.5 Electrical Requirements
- 05.6 Client Workstation Requirements to Operate 3DManage
- 05.7 Network Interface
- 05.8 Safety Information
- 05.9 Print Material Handling and Safety

05.1 Moving Equipment and Access for System Installation

Moving Equipment and Access Requirements

- Moving and positioning the crated ProJet™ 7000 requires a pallet jack or roll-a-lifts, (customer supplied).
- Passageways and doors must be wide enough to allow for moving and turning the ProJet™ 7000, (with lifting equipment when crated). Most standard doorways and halls provide adequate access for moving the system.
- The ProJet™ 7000 is equipped with wheels and can be rolled when uncrated.

ProJet™ 7000 Dimensions

Crated

Height - 2002 mm (78.8 in)

Width - 1909 mm (75.2 in)

Depth - 1039 mm (40.9 in)

Weight - 363 kg (800 lbs)

Uncrated

Height - 1826.7 mm (71.9 in)

Width - 980.7 mm (38.6 in)

Depth - 854.0 mm (33.6 in)

Weight - 272 kg (600 lbs)

Material Cart Dimensions

Crated

Height - 1200 mm (47.2 in)

Width - 684 mm (26.9 in)

Depth - 795 mm (31.3 in)

Weight - 136 kg (300 lbs)

Uncrated

Height - 1023 mm (40.3 in)

Width - 596 mm (23.5 in)

Depth - 708 mm (27.9 in)

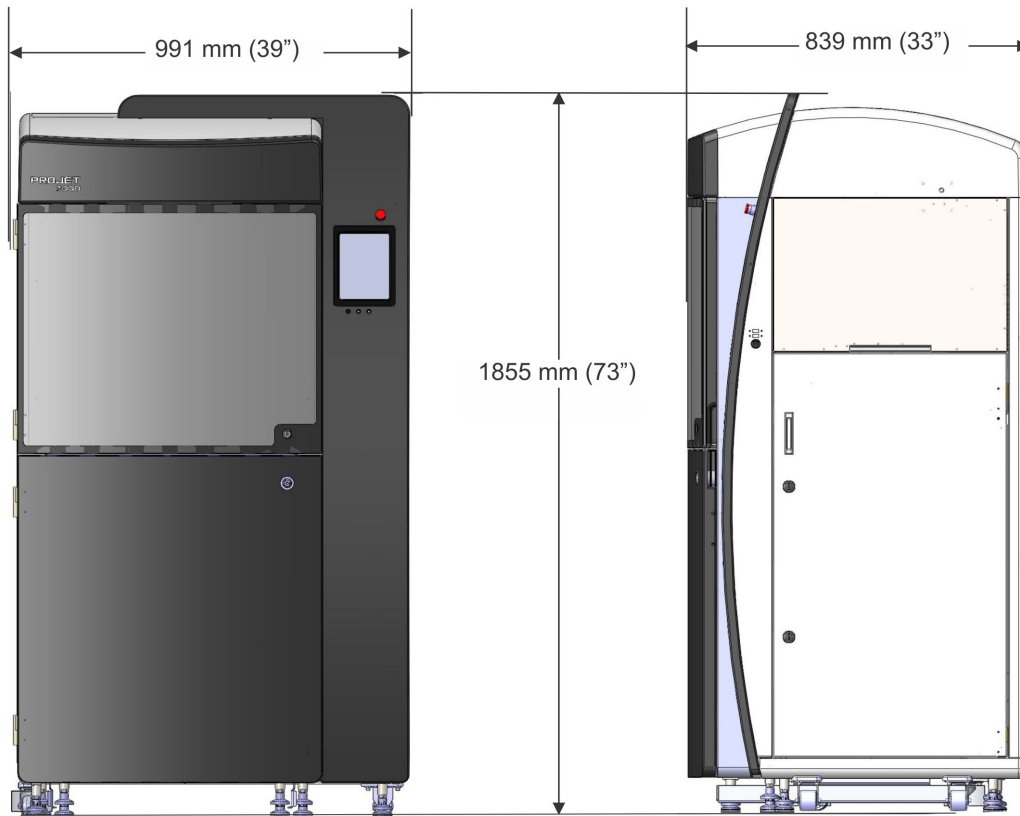
Weight - 102 kg (225 lbs)



Note: Unpacking crates must be supervised or performed by a 3D Systems Customer Service Engineer. 3D Systems takes no responsibility for missing items if crates are opened without a Customer Service Engineer present.

05.2 ProJet™ 7000 Physical Dimensions

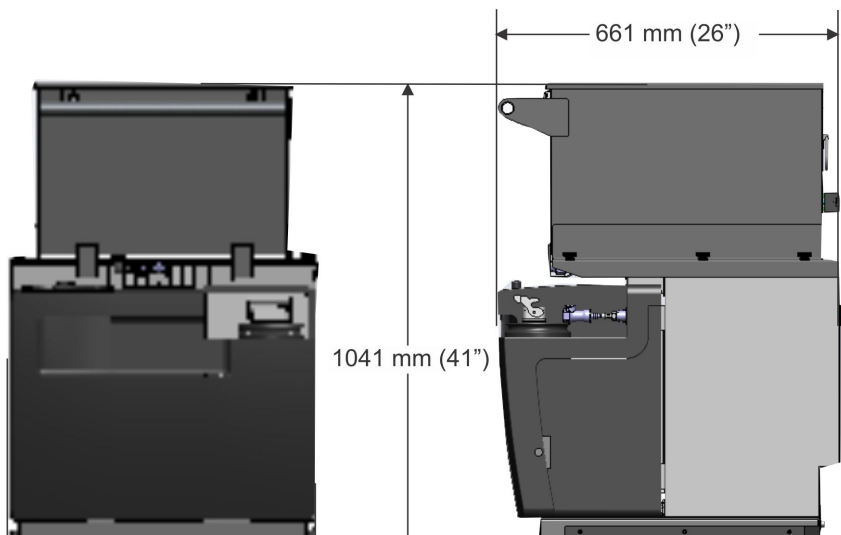
ProJet 7000 Dimensional Data

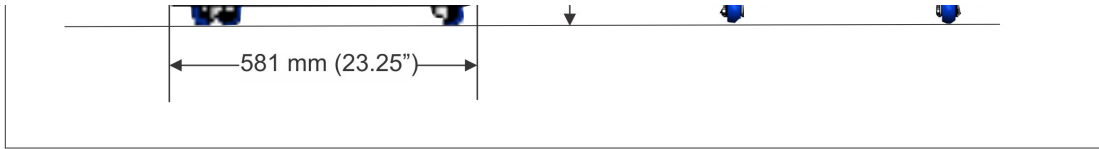


Crated	
Width:	2286 mm (90")
Height:	2007 mm (79")
Depth:	1016 mm (40")

Weight	
Crated:	363 kg (800 lb)
Un-Crated:	272 kg (600 lb)

ProJet 7000 Cart Dimensional Data





05.3 Floor Specifications

Floor Area

Floors and counter spaces in the ProJet™ 7000 work area should be nonporous and suitable for cleaning with solvents. Do not install the ProJet™ 7000 on carpeted floors. The feet of the system should be on a non-resilient surface such as bare concrete. The machine should not straddle any floor seams. The maximum permissible floor incline is 2.5 cm/12 m (1 in/40 ft). Not following floor recommendations may result in poor printer operation.

Floor Vibration and Shock

The system is a precision mechanical and optical machine that is sensitive to vibration. In order to ensure part quality and accuracy, a ground floor location with a concrete floor, (mimumum of 4 inches thick) is recommended.

Poor Printer Operation

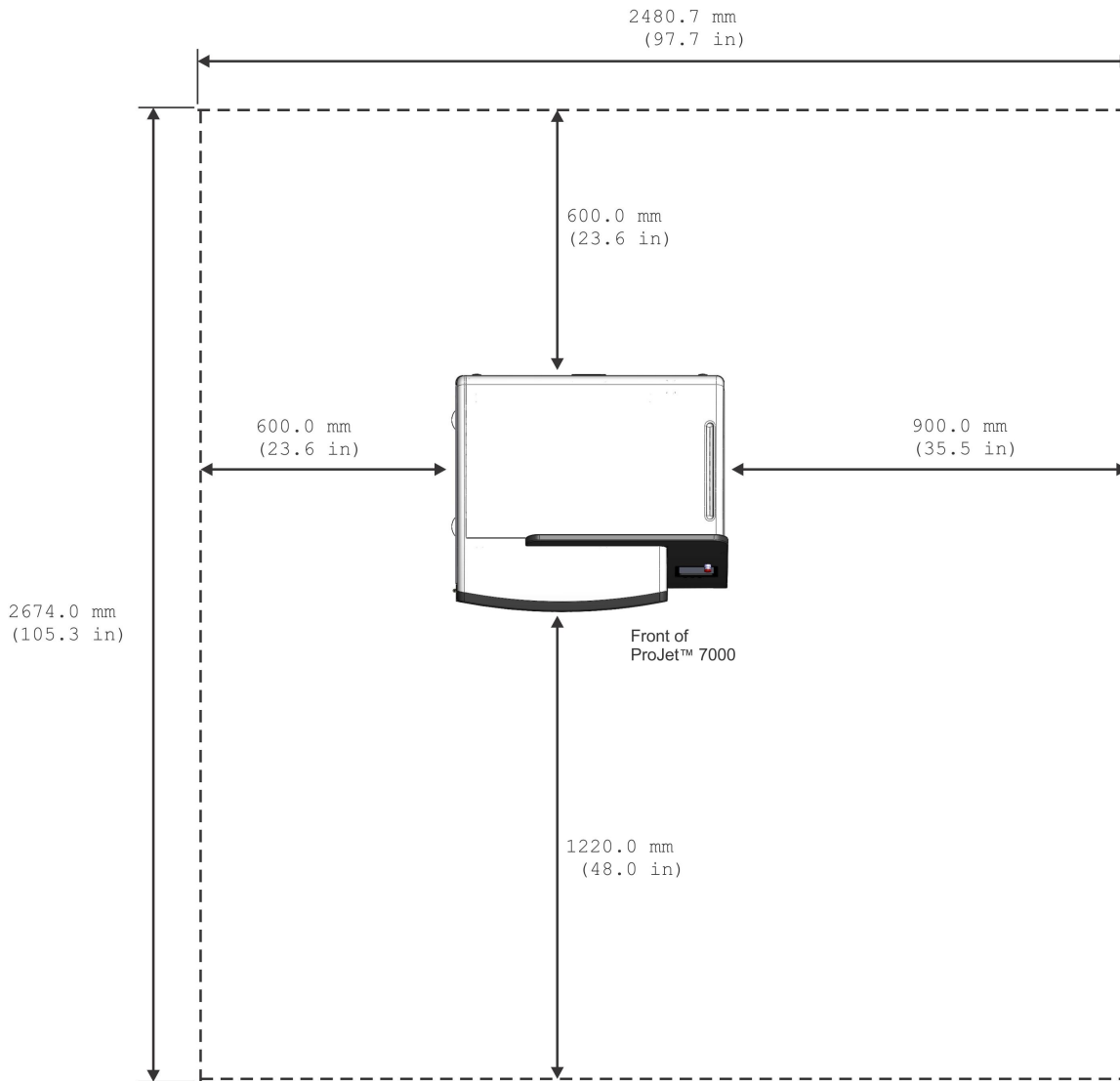
If the site's floor is extremely out of level, The system cannot be installed. The cart will not fit making it impossible to level the system.

The ProJet™ 7000 is slightly self-damping, and should not be affected by normal or incidental environmental vibration; however the area should be isolated, either via location or some other physical or mechanical means, from any significant internal or external vibration sources such as heavy machinery, HVAC and fans. Locations near airports or train tracks which could cause unacceptable shock or vibration levels are not recommended.

05.4 Room Size

The total floor area required by a ProJet™ 7000 varies depending on user preferences, building codes, and the space required for storage. The room should have a minimum ceiling height of 243.84 cm, (96 in)

The dashed outer lines show the space required around the system for operation, maintenance and service.



05.5 Electrical Requirements

Power Requirements

Voltage	Current	Frequency	Phase
100 VAC	15 amps	50/60 Hz	1 phase
115 VAC	15 amps	50/60 Hz	1 phase
230 VAC	8 amps	50/60 Hz	1 phase

The system requires a dedicated, surge- and spike-protected circuit. Use of an Uninterruptible Power Supply (UPS) is strongly recommended in areas where power fluctuations are frequent, as surges and spikes can cause damage to electronic components and loss of power can result in failed builds.

Surge and spike suppression should carry a rating of at least 1,000 joules with a clamping voltage of approximately 300V. Uninterruptible power, recommended especially in areas where circuits may be affected by lightning strikes, should be rated for 3kVA at a minimum.

For specific information on a suitable UPS, contact a UPS manufacturer and provide the voltage rating, current draw, and desired backup time. The manufacturer will be able to recommend an appropriate model.

ProJet™ 7000 System Power Connection Requirements

- In the United States, a dedicated circuit to a standard 15 amp wall outlet is required. The system connects to a 115VAC power outlet through a standard 115VAC power cord.
- In Europe, a dedicated circuit to a standard 10 amp wall outlet is required. The system connects to a 230VAC power outlet through a standard 230VAC power cord. Country destination kits are available with the proper wall power connections.

05.6 Client Workstation Requirements to Operate 3DManage

Before a model can be built on the ProJet™ 7000, the model data file must be saved or exported to the industry-standard .stl file format, and submitted to the modeler. The client software can be downloaded from 3DSCentral and installed on each intended user's workstation. This allows the user to select, preview, and submit print jobs, as well as manage the print queue (for designated administrators).

Prior to installing the software, ensure that the initially selected workstation meets the following minimum specifications. The specifications described represent 3D Systems tested minimum "baseline" configuration for using the client software. It is recommended that this workstation be further enhanced for maximum performance, particularly with more powerful processors and added memory.



Note: Although the client software will run on less powerful computers, meeting the minimum recommended configuration will ensure acceptable performance.

Minimum recommended configuration for Microsoft® Windows® workstations

Operating System	XP Professional, 2000 Professional or Windows® 7
CPU speed	Intel® Pentium® 4 Processor 2.8 GHz, 533 MHz FSB.
Main Memory	2 GB DDR333 SDRAM.
Hard Drive	40 GB ATA-100 IDE (7200 rpm) with 4 GB free space minimum.
Virtual Memory Paging File Size	1 GB.
Video Controller	Full Open GL, AGP, with 3D Graphics acceleration required. Card should have a minimum of 64 MB RAM on board.
Display	Capable of displaying 16-bit color at a minimum resolution of 1024 x 768 pixels per inch (True Color recommended).
Networking (all required)	Shielded Ethernet, 10baseT or 100baseTx, Class A, RJ-45 connection, using TCP/IP (no other protocols supported).
Client Software (upload)	CD-ROM drive.
Mouse	Two button mouse minimum (Intelli mouse™ supported)

05.7 Network Interface

Ethernet Interface

The system workstation includes a Class A Ethernet interface, which can be used for connection to a Windows NT/Windows 7, part preparation workstation. This interface transmits files from the workstation to the ProJet™ 7000. The Ethernet connection is accomplished via 10/100BaseT Class A Ethernet cable with a maximum length of 182.00 m (600 ft).

05.8 Safety Information

It is your responsibility to ensure that areas in which the ProJet™ 7000 and print materials are used or stored and that personnel operating the equipment comply with all relevant safety codes and laws, particularly those relating to hazardous chemicals and laser radiation. The system conforms to Federal Laser Product Performance Standards 21CFR1040.10 Class I laser in normal operation. During field service, emission levels can correspond to Class IV laser product. The system complies with CE requirements.

The following is a list of recommended safety equipment and supplies:

- Fire extinguishers
- Eyewash stations
- Protective clothing, including chemical-resistant gloves and lab coats
- Safety eye glasses with side shields
- Hazardous waste cans for chemicals

You are responsible for determining whether additional supplies and equipment are necessary.

05.9 Print Material Handling and Safety



IRRITANT

Always wear chemical-resistant gloves, goggles and protective clothing when handling print material.

Avoid skin contact.

Avoid breathing print material fumes.

- Always wear approved goggles, nitrile gloves and protective clothing when working near print materials or with partially cured parts.
- Wearing contact lenses when working with print materials is not recommended.
- Always wear chemical-resistant gloves whenever handling print materials or partially cured parts. Recommended gloves are 100% Nitrile. Do NOT wear latex gloves.
- Always work in a well ventilated area when using print materials. Avoid breathing vapors.
- Always wash skin thoroughly with abrasive soap and COLD water after working with print materials. DO NOT USE HOT WATER OR SOLVENTS to wash hands, as it will result in absorption through the skin.
- Use extreme care when handling solvents used to remove excess print material from uncured parts. These solvents (e.g., denatured alcohol, isopropyl alcohol) are very flammable.
- Keep all print materials away from heat, sparks and flame. Print material containers may rupture when exposed to extreme heat.



WARNING

Use National Fire Protection Association

Class B extinguishers such as carbon dioxide, dry chemical, or foam.

Print Material Characteristics

The photopolymers used in the print materials may be hazardous if handled improperly. Repeated skin contact with print materials may cause sensitization. Consult the manufacturer's Material Safety Data Sheet (MSDS) for information on specific print materials. For further information on this and related topics, consult the 3D Systems - Materials website.



CAUTION

Never mix different print materials.

Print Material Disposal

Do not dump used print material down any drains. Dispose of print material according to the guidelines given in the MSDS included with the print material and all applicable regulations(local, state, and federal).

Print Material Spill Containment

Your company has the responsibility to define what constitutes a major spill. Personnel who are involved in cleaning up major spills of print material should wear NIOSH/MSHA approved respirators designed for use with organic chemical vapors. In addition, each person should wear protective goggles, rubber boots, and 100% nitrile gloves to minimize exposure to print material, which can cause eye, skin, and respiratory irritation, as well as possible skin allergies and respiratory reactions.



A supply of dikes and control booms should be stocked so they are available to contain the affected area in the event of a major print material spill. The spilled print material should then be absorbed on inert absorbent material and placed into drums for transfer to an approved waste disposal site. After cleaning up the spill, individuals should wash thoroughly with soap and cold water. All clothing should be washed before reuse. Avoid exposure to sunlight until skin and clothing have been cleaned of print material. Refer to the MSDS before using any chemicals. Repeated or prolonged skin contact may cause sensitization. Vapor may be harmful.

Print Material Storage

Print materials should be stored in the opaque, non-reactive containers in which they were provided, according to the guidelines given in the MSDS included with the print material and all applicable regulations (local, state, and federal). Protect print material from sunlight and ambient room light. Print material may be stored in material carts with the lid securely fastened.

Material for the ProJet™ 7000 is composed of reactive monomers and oligomers. If improperly stored or handled, these compositions may undergo polymerization resulting in the emission of heat. Improperly stored resins may increase in viscosity, and eventually result in a gelled, polymerized product in the storage container. Materials should be stored in conformance with applicable laws and regulations. 3D Systems is not responsible for losses incurred as the result of improper storage of print material. See subject of **Light** and **Temperature** below.

- **Light** - Photocurable materials should be shielded from sunlight or other sources of actinic radiation such as fluorescent or mercury vapor lights. Exposure to UV radiation leads to an increase in product viscosity and eventually to product polymerization, rendering the material unusable for part building.
- **Temperature** - Containers of print material should be kept indoors at temperatures between 16°C (60°F) and 27°C (80°F). Temperatures above 27°C (80°F) may accelerate the depletion of the stabilizers contained in the product. Once the stabilizers are exhausted, the product may undergo polymerization, rendering it unusable for part building.
- **Containers** - VisiJet® materials for the ProJet™ 7000 are shipped in 2 liter polypropylene containers. Polyethylene bottles or liners are acceptable for storage also, as long as they are opaque to ultraviolet light, and not used to hold solvent containing materials. Plastic containers made from organic solvent soluble materials such as polystyrene or polyvinylchloride (PVC) should not be used for resin storage. VisiJet® materials containing acrylates should not be allowed to come in contact with iron and copper, or alloys containing copper to insure product stability. Container lids should be tightly sealed in order to protect the product from contamination and/or stray light when not in use. Also, a tightly sealed container is less likely to cause spillage if accidentally dropped during handling. You should consult the applicable literature for proper storage, use and handling of photocurable materials.
- **Shelf Life** - VisiJet® material for the ProJet™ 7000 are guaranteed usable for at least twelve months from their date of manufacture if properly stored and handled. Inventory provisions should be made to insure that the material purchased first is used first. In general, resins are usable for periods of up to 18 months or longer. However, if the product is past its recertification date, it is advisable to check the viscosity before using it.
- **In-Service Life** - In-Service Life of the VisiJet ProJet 7000 materials is defined as the useful life of the material after having been poured into the ProJet 7000 print tray. The In-Service Life of the ProJet 7000 material greatly varies depending on material type, usage and environmental conditions. The more volume built, the more the material is refreshed with newer material. This blends older material with newer material and extends the In-Service Life of the materials. If the material is exposed to temperatures outside of the normal operating limits, is exposed to UV light, is exposed to particulates or vapors in the air such as dust or fumes, or if contaminants are introduced such as partially cured platforms being placed back into the print tray, this will shorten the material In-Service life. The type of patterns and builds performed also affect the in-service life of the material. With all this taken into consideration, we would expect the in-Service life of the material to be at least two years but can be much longer with proper care and maintenance. The material retains its usefulness until a buildup of viscosity or a change in reactivity prevents further processing in the ProJet™ 7000.

- **Contamination** - Care should be taken when cleaning windows, panels, and other parts of the ProJet™ 7000. Cleaning products which contain ammonia, should not be used because they can cause contamination of the material. Instead use a small amount of isopropyl alcohol on a paper towel to clean up spills. Accidental contamination of resins may change the material's performance characteristics to such an extent that acceptable parts can no longer be reliably created.
- **Polymerization** - Signs of polymerization of stored resin include container bulging, leaking, and the emission of heat, or an unusual odor from the container. If you notice this, do not use the material and dispose of it properly.

06.0 Operating Environment

- 06.1 Air Quality and Temperature
- 06.2 Humidity
- 06.3 Lighting
- 06.4 Vibration and Shock

06.1 Air Quality and Temperature

Air Quality

The room housing the ProJet™ 7000 should be well ventilated. Reasonable care should be taken to minimize dust and smoke which could contaminate the print material and cause deterioration of optical surfaces. Avoid temperature fluctuation (see below). Since dust, smoke and temperature fluctuations can affect the performance of the machine and the quality of the parts, a restricted area with positive pressure filtered air flow is recommended. Avoid proximity to machine shop areas, or where milling, grinding, or sanding is performed.

Temperature

The facility air conditioning system should be capable of removing 1.0 kW/h (3414 BTU/hour) of heat dissipated by the ProJet™ 7000.

The temperature in the room or location where the ProJet™ 7000 resides should remain stable to allow optimal system operation and optimal part quality. The working range is: 20°-26°C (68°-79°F).

Any temperature fluctuations greater than 3°C (5°F) may adversely affect parts built on the system. The rate of temperature change should not exceed 1°C (1.8°F) per hour. The air conditioning system should maintain a temperature change of less than 1°C per hour. The air should change two to five times per hour. Avoid exposure of the ProJet™ 7000 to direct air flow from the local air conditioning system to avoid the possibility of adversely affecting part quality.

06.2 Humidity

Humidity

The optimal humidity in the ProJet™ 7000 build chamber and lab will depend to a certain degree on the print material selection. Regardless, the humidity should always be non-condensing and should not vary outside the range of 20-50%. Review the material information (M.S.D.S./S.D.S, product datasheet, and product labeling) for specific information on recommended humidity levels.

06.3 Lighting

- Standard fluorescent lamps with clear plastic diffusers are recommended to minimize ultraviolet exposure, which could negatively affect the print material.
- UV filters are available for windows and exposed fluorescent lamps.

Make certain to avoid the following:

- Sunlight, quartz-halogen lamps, and high-intensity incandescent lamps are not suitable.
- UV-intensive lighting or ultraviolet exposure through windows should be avoided.

06.4 Vibration and Shock

Floor Vibration and Shock

The system is a precision mechanical and optical machine that is sensitive to vibration. In order to ensure part quality and accuracy, a ground floor location with a concrete floor, (mimumum of 4 inches thick) is recommended.

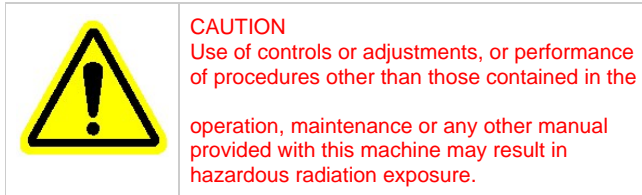
The ProJet™ 7000 is slightly self-damping, and should not be affected by normal or incidental environmental vibration; however the area should be isolated, either via location or some other physical or mechanical means, from any significant internal or external vibration sources such as heavy machinery, HVAC and fans. Locations near airports or train tracks which could cause unacceptable shock or vibration levels are not recommended.

07.0 Limitations of Liability

3D Systems is not, in any event, liable for any damages, including lost profits, cost of cover, or other special, incidental, consequential, or indirect damages arising from the use of this document, however caused and on any theory of liability. This limitation will apply even if 3D Systems or an authorized dealer or representative has been otherwise advised of the possibility of such damage. This document, in whole or in part, may be changed or modified at any time at the sole discretion of 3D Systems, without notice.

08.0 Safety Notice

NOTICE



This laser process machine is certified as a CLASS 1 laser product to the requirements of the US Federal Product Performance Standard for Laser Products contained in the regulations in 21 CFR Subchapter J except for specific deviations described in FDA Laser Notice #50.

Class 1 laser products are not considered to be hazardous.

This machine incorporates a Class 4 laser and optical system which, by itself, may be hazardous. However, this machine incorporates a protective housing, laser protective viewing window, and safety interlocks in the machine design such that there is no exposure or human access to the laser radiation generated by the laser during operation or maintenance.



All service to the laser process machine, the embedded laser system and optics requiring interlock override shall only be performed by 3D Systems Corporation service personnel, their authorized agents, or personnel trained by 3D Systems Corporation. The manufacturer's user information for the incorporated laser products are supplied with this process machine.

UNDER NO CIRCUMSTANCE shall attempts be made by the user to operate the laser with safety interlocks bypassed or tool removable access panels that allow access to laser radiation removed. Labels are provided on the products that indicate hazards. Reproductions of these labels and diagrams showing their location are provided in this manual.

The laser should not be operated if the laser protective window material installed onto the front of the process chamber is damaged or removed. The window material has a measured minimum optical density (OD) of 5+ @ 355nm. Contact the manufacturer for replacement information.

09.0 Thank You

3D Systems is confident that you will be very satisfied with the purchase of your ProJet™ 7000. Enjoy the ability to produce high quality models from your 3-D digital data. We are dedicated to developing a relationship that extends beyond the terms of the sale. Please take the time to contact 3D Systems with questions, comments or suggestions about your ProJet™ 7000, or other products or services. 3D Systems strives for higher quality, better products, and comprehensive services to benefit our customers.

10.0 Contacting 3D Systems

U.S.A.

3D Systems, Inc.
333 Three D Systems Circle
Rock Hill, SC 29730
U.S.A.
General Inquiries: (803) 326-3900
Material Orders: (800) 889-2964
Customer Support: (800) 793-3669
E-mail: moreinfo@3dsystems.com

Germany

3D Systems GmbH
Guerickeweg 9
D-64291 Darmstadt,
GERMANY
General Inquiries: +49-6151-357 0
Material Orders: +49-6151-357 234
Customer Support: +49-6151-357 357
E-mail: hotline.de@3dsystems.com

Italy

3D Systems
Via Archimede 42
20041 Agrate Brianza
(MI)
ITALY
General Inquiries: (+39) 039 68904 00
Material Orders: (+39) 039 68904 00
Customer Support: +49 (0) 6151 357 357
E-mail: marketing.it@3dsystems.com

Japan

3D Systems Japan K.K.
4-6-8 Tsurumaki
Setagaya-ku,
Tokyo 154-0016
JAPAN
General Inquiries: (+81) 3 5451 1690
Material Orders: (+81) 3 5451 1690
Customer Support: (+81) 3 5451 1690
E-mail: japaninfo@3dsystems.com

U.K.

3D Systems Europe Ltd
Mark House, Mark Road
Hemel Hempstead
Herts HP2 7UA
UNITED KINGDOM
General Inquiries: +44 1442 282600
Material Orders: +44 1442 282665
Customer Support: +44 1442 282665
E-mail: marketing.uk@3dsystems.com

Switzerland

3D Systems, Inc.
PO Box 259
1723 Marly
Switzerland
Tel. +41-26-439 95 90

France

3D Systems
49, rue du Bois Chaland
91090 Lisses
FRANCE
Tél. : (+33) 01 60 87 88 77
Fax : (+33) 01 60 87 07 66
Email : marketing@3dsystems.fr

11.0 Ancillary Supplies and Equipment

Part Washing Systems

3D Systems, Inc.
333 Three D Systems Circle
Rock Hill, SC 29730
Cure unit, p/n 273997-01
Washer, p/n 273998-01

Uninterruptible Power Supply

American Power Conversion or Toshiba
5KVA

Hand-Held UV Guns

DDU Enterprises
2909 Oregon Ct, Ste A2
Torrance, CA 90503
Tel: 310.781.1199 Fax: 310.781.9223

Model Finishing Tools and Supplies

Micro-Mark
340 Snyder Ave.
Berkeley Heights, NJ 07922
Tel: 800.225.1066 Fax: 908.665.9383
Emerson Electric Co., Dremel Division
4915 21st St,
Racine, WI 53406
Tel: 414.554.1390 Fax: 414.554.7654

UV Filter Screens (For Lights and Windows)

UV Process Supply, Inc.
1229 E. Courtland St.
Chicago, IL 60614
Tel: 800.621.1296 Fax: 312.880.6647

Wipes

TexWipe Co. (TexSwab)
POB 308
650 E Crescent Ave,
Upper Saddle River, NJ 07458
Tel: 201-327-9100

Miscellaneous Supplies

(available from many lab safety companies):

- Cellulose Wadding (drain pads)
- Chemically Resistant Gloves (3D Systems recommends surgical-type 100% nitrile gloves)
- Eye Wash Stations
- Fire Extinguisher
- Fire Proof Waste Can
- Fire-resistant Storage Cabinets
- Lab Coats
- Neoprene Coated Gloves (for working with TPM)
- Tri-Propylene Glycol Monomethyl Ether (TPM)
- Safety Glasses (300-400 nm UV-blocking) with side shielding

12.0 Initial Site Survey Checklist

The **Initial Site Survey Checklist** will help you determine the optimal place to install the ProJet™ 7000.

- Survey your facility and list three possible installation locations at the top of the form.
- Review all questions on the form and check the box for the location that satisfies the requirements presented by that particular question.
- Total the number of checked boxes for each location.
- The location with the highest total is your best choice as an installation location.

Click the link to open or download the [Initial Site Survey Checklist.pdf](#)

13.0 Pre-Installation Checklist

The **Pre-Installation Checklist** helps you prepare for installing the ProJet™ 7000. Prior to installation, complete the checklist and fax it to your 3D Systems Customer Support Engineer.

Pre-Installation Checklist

Moving Equipment and Site Accessibility

- Is there adequately rated moving equipment available to move the equipment to its destination?
- Have you coordinated the move with your shipping department?
- Is there adequate doorway and hallway clearance to move system components using available moving equipment?

ProJet™ Printer Area

- Is adequate space available for the equipment and supplies?
- Are the following electrical power outlets in place?
 - Do the electrical power requirements meet the specifications provided in this guide?
 - For service and other uses: Are there two additional outlets, 110/220 V?
- In the room where the printer will be installed, does the air conditioning meet the following requirements?
 - Is the temperature change less than 1°C (1.8°F) per hour?
 - Is humidity maintained at an appropriate non-condensing level for the print material (20-50%)?
 - Does the air change two to five times per hour?
- Is 10/100/1000BASE-T Ethernet network cabling installed and in working order?
- Is a cabinet available to store print material containers?
- Does the room have a door that can be closed and locked during installation?
- Is there a network connection? (Optional)
- Is there a telephone line? (Optional)

Part Finishing Area

- Is adequate space available for the equipment and supplies?
- Is all construction to floors, ceilings, and walls complete and does it meet local building code specifications? Are floors clean and free of debris? Are floors easily cleanable with solvents?
- Have you decided what other equipment, accessories, and supplies that you want to have with the printer? Have you decided on a location for these items?
- Has a compressed air connection with a pressure controller and fast closing connection been installed? (Optional for parts finishing)
- Is a workbench available that has negative pressure and electricity for power hand tools?
- Are electrical outlets and power available?
 - Is there a 110/220 V outlet available for the ProCure UV Curing chamber?
 - Are there enough 110/220 V outlets available in the room for equipment and tools?
- Is all the recommended safety equipment available, including nitrile gloves and wipes?

Waste Disposal and Safety

- Has a local waste disposal company been arranged for periodic pickup of waste materials?

Job Submission (Workstations and Network access)

- Has 3D Systems software been loaded on at least one workstation so that we can submit a build job to the printer?
- Is the software loaded?
- Is the computer on the network?

FAX this completed page to (803) 324-4311

Completed by:

Customer Representative

Date

3D Systems Customer Support Engineer

Date