

For more information, please contact:

Distributor

NextDent B.V.
Centurionbaan 190
3769 AV Soesterberg
The Netherlands

+31 88 616 04 40
info@nextdent.com
www.nextdent.com

Distributor

Vertex-Dental B.V.
Centurionbaan 190
3769 AV Soesterberg
The Netherlands

+31 88 616 04 40
info@vertex-dental.com
www.vertex-dental.com

Manufacturer

JM Tech
131-1, Sangma-Ri, Daegot-Myun,
Kimpo-City Kyunggi-Do,
Korea

NextDent[®]

www.nextdent.com

NextDent, the leading manufacturer of dental materials for 3D printing.

NextDent B.V. is an independent subsidiary company under the Vertex Global Holding. NextDent's mission is to become the worldwide leading manufacturer of CE-certified and biocompatible dental 3D printing materials. NextDent's Research and Development team is constantly searching for the best possible solutions in order to become a benchmark for 3D printing materials in the dental field. The company's focus is on development of custom-made 3D printing solutions in close cooperation with our customers.

© 2016 Vertex-Dental B.V. All Rights Reserved"

NextDent" is a registered trademark of Vertex-Dental B.V. used under a temporary license granted by NextDent B.V.. Neither, NextDent B.V. nor any of its affiliates is responsible for the manufacturing of the product(s).

LC-3DMIXER

Roller / Tilting mixer for the mixing of 3D printing resins

NextDent[®]

Leading manufacturer of dental materials for 3D printing

Instruction For Use

LC-3DMixer

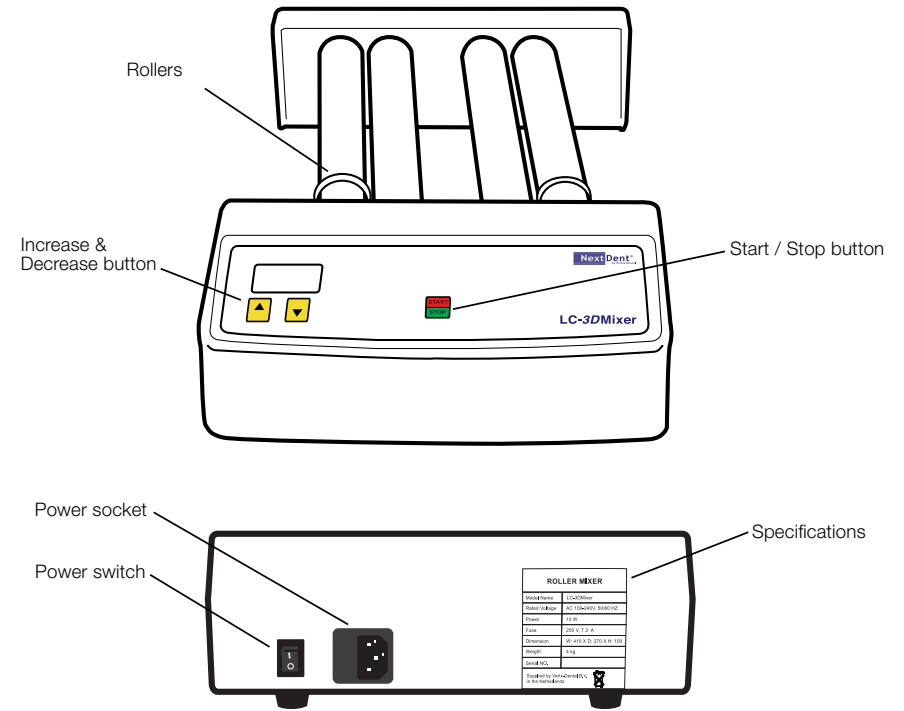
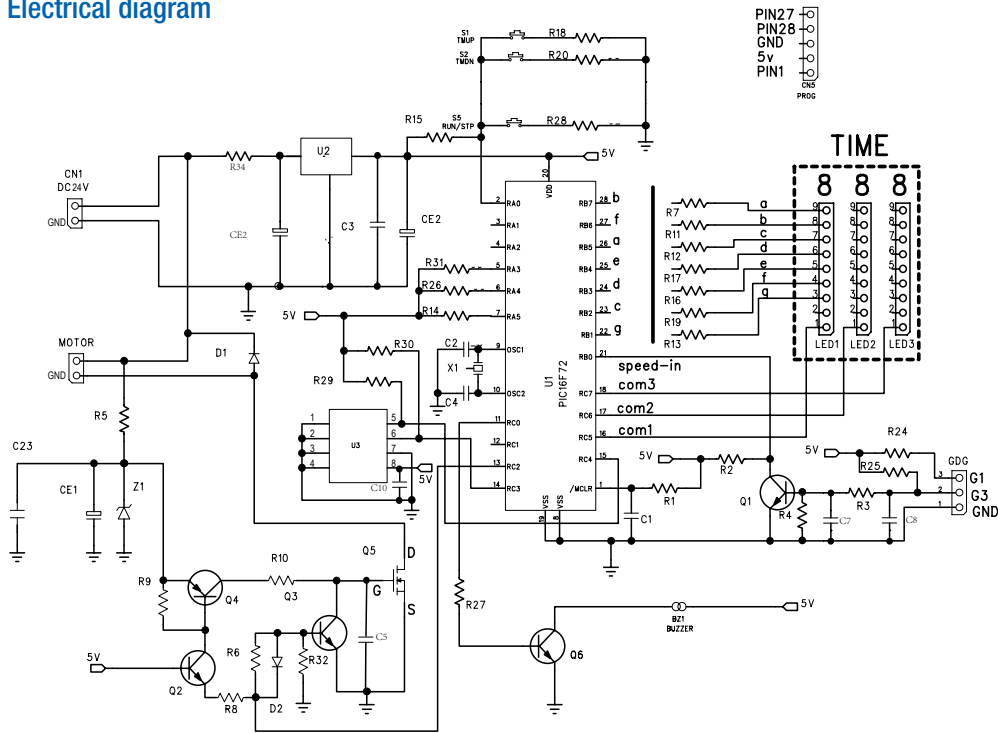
The following instructions for use are for professionals who use the NextDent™ LC-3DMixer as a roller / tilting mixer for 3D print resins.

NextDent™ LC-3DMixer is intended for professional dental work. This instruction for use also provides information about safety and environmental aspects. In case more information is needed about the NextDent™ LC-3DMixer contact the NextDent office. See contact information at the end of this document.



IFU ID: ILCM201702UK

Electrical diagram



Specifications

Model Name:	LC-3DMixer
Rated Voltage:	AC 100-240V, 50/60 HZ
Power:	10 W
Fuse:	250 V, T 2 A
Dimension:	W: 410 X D: 270 X H: 100
Weight:	4Kg

General cautions

- Read this manual carefully before operation.
- Do not use this machine for any other kind of material than 3D print resins.
- Color deviation and print failures may occur when 3D print resins are not mixed properly.
- Maximum load 2 x 1kg.

Package content

- NextDent LC-3DMixer
- AC Power cable
- Instruction for use
- Declaration of conformity
- Electrical diagram
- Warranty registration card

Safety warning label information



- Do not touch live electric parts.
- Turn off power source and disconnect power cable before installing, cleaning and servicing the equipment.
- Turn off the equipment when not in use.
- Use only well maintained equipment.



- Keep children away
- Make sure that the bottle cap is closed.

Warranty regulations

- This machine has been developed for use in dentistry only. Liability cannot be accepted for damage resulting from misuse or failure to observe the instructions. Modifications and misprints with reservation.
- NextDent B.V. provides a 1-year warranty for all defects caused by hidden deficiencies which render the appliance useless for professional use and maintenance.
- If the enclosed warranty registration card is not returned, the one year warranty of the LC-3DMixer runs from date of purchase at NextDent B.V..

Installation

Open the package and take out equipment then connect the power cable to the equipment. Place the machine on a level, flat, dry and clean surface. Do operate the machine at specific power voltage.

Operation

Place the bottle with the 3D print resin on the machine. To turn on the mixer, press the Power switch on the back of the machine to I. The display will show the last selected mixing time. To change the time setting use the Increase or Decrease button. Press the Start / Stop button. When the selected time has elapsed the machine will stop automatically, and give an alarm signal. Press Start / Stop button once more and the signal will stop. The preset time value will appear.

To avoid dry friction between rollers and bearing, drop a little lubricating oil into the ends of every rolling pole once a year.



Please note that electrical/electronic units must be disposed off separately. Do not dispose with household waste. The black bar on the "garbage bin" symbol indicates that the unit was put into circulation after August 13, 2005. Please note that the unit is subject to regulation 2002/96/EC (WEEE) and applicable following national laws and must be disposed off accordingly. Please contact your dealer if the unit needs to be disposed off.

Description of function key



Start/Stop button
Start / Stop button for starting and stopping operation.



Increasing button
Button for increasing the operation time.



Decreasing button
Button for decreasing the operation time